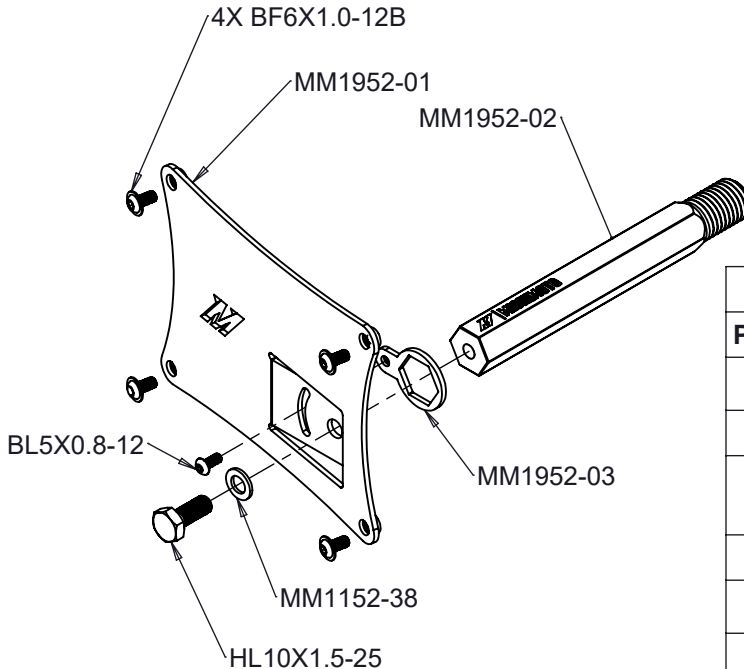


MISHIMOTO

INSTALLATION STEPS:

1. USING A TRIM REMOVAL TOOL, REMOVE THE TOW HOOK COVER SECTION OF THE GRILL TO GAIN ACCESS TO THE FRONT TOW HOOK MOUNT
2. USING A 1" WRENCH OR SOCKET, INSTALL MM1952-02 INTO THE TOW HOOK MOUNT
3. SLIDE MM1952-03 ONTO MM1952-02
4. USING A 16MM WRENCH OR SOCKET, ATTACH MM1952-01 IN THE DESIRED ORIENTATION TO MM1952-02 WITH MM1152-38 & HL10X1.5-25
5. USING A 3MM ALLEN WRENCH, INSTALL BL5X0.8-12 THROUGH THE SLOT IN MM1952-01 INTO MM1952-03 AND TIGHTEN TO LOCK THE ROTATION OF MM1952-01
6. USING A 4MM ALLEN WRENCH, ATTACH YOUR LICENSE PLATE TO MM1952-01 WITH (4) BF6X1.0-12B



BILL OF MATERIALS		
PART NUMBER	DESCRIPTION	QUANTITY
MM1952-01	LICENSE PLATE BRACKET	1
MM1952-02	ROD	1
MM1952-03	ROTATION LOCKING BRACKET	1
MM1152-38	WASHER	1
BF6X1.0-12B	BUTTON HEAD FLANGED BOLT	4
BL5X0.8-12	BUTTON HEAD LOCKING BOLT	1
HL10X1.5-25	HEX HEAD LOCKING BOLT	1

FOR QUESTIONS OR ASSISTANCE WITH YOUR MISHIMOTO PRODUCT, CONTACT US AT 1.877.GOMISHI OR SUPPORT@MISHIMOTO.COM