

Installation Guide for Subaru WRX

PNs: 140907, 140907CB



******* Please compare the parts in the box with the bill of materials provided *****
to assure that you have all the parts necessary for this installation.**

These instructions have been written to help you with the installation of your Borla Performance exhaust system. Please read this document completely before beginning the installation of your system.

To ensure this part number fits your specific model year, please visit our website for the latest model year listings at www.BORLA.com

Thank you for purchasing a Borla Performance Cat-Back™ exhaust system.

Borla Performance Cat-Back™ exhaust system PNs 140907, 140907CB are designed for the Subaru WRX, equipped with a 2.4L inline-4 turbo-charged engine and AWD automatic and manual transmissions.

Borla Performance Industries recommends that an exhaust shop or professional after market parts installer, who has all the necessary equipment, tools and experienced personnel needed for proper installation, should perform the installation of this system. However, if you decide to perform the installation, we recommend someone should help you. Ensure the installer uses all under car safety precautions including eye protection.

Please take time to read and understand the following...

By installing your Borla Performance exhaust system, you indicate that you have read this document and you agree with the terms stated below.

It is the responsibility of the purchaser to follow all installation instruction guidelines and safety procedures supplied with your Borla Performance exhaust system.

Borla Performance Industries assumes no responsibility for damages occurring from misuse, abuse, improper installation, improper operation, lack of responsible care, or all previously stated reasons resulting from incompatibility with other manufacturer's products and/or systems.

Included with your Borla Performance exhaust system is a warranty card. Please read it carefully before you begin any work on your vehicle. If you should have any questions regarding our warranty policy, installation, or any other matter pertaining to your new Borla Performance exhaust system, please give us a call at the number provided on the warranty card.

Minimum Required Tool List:

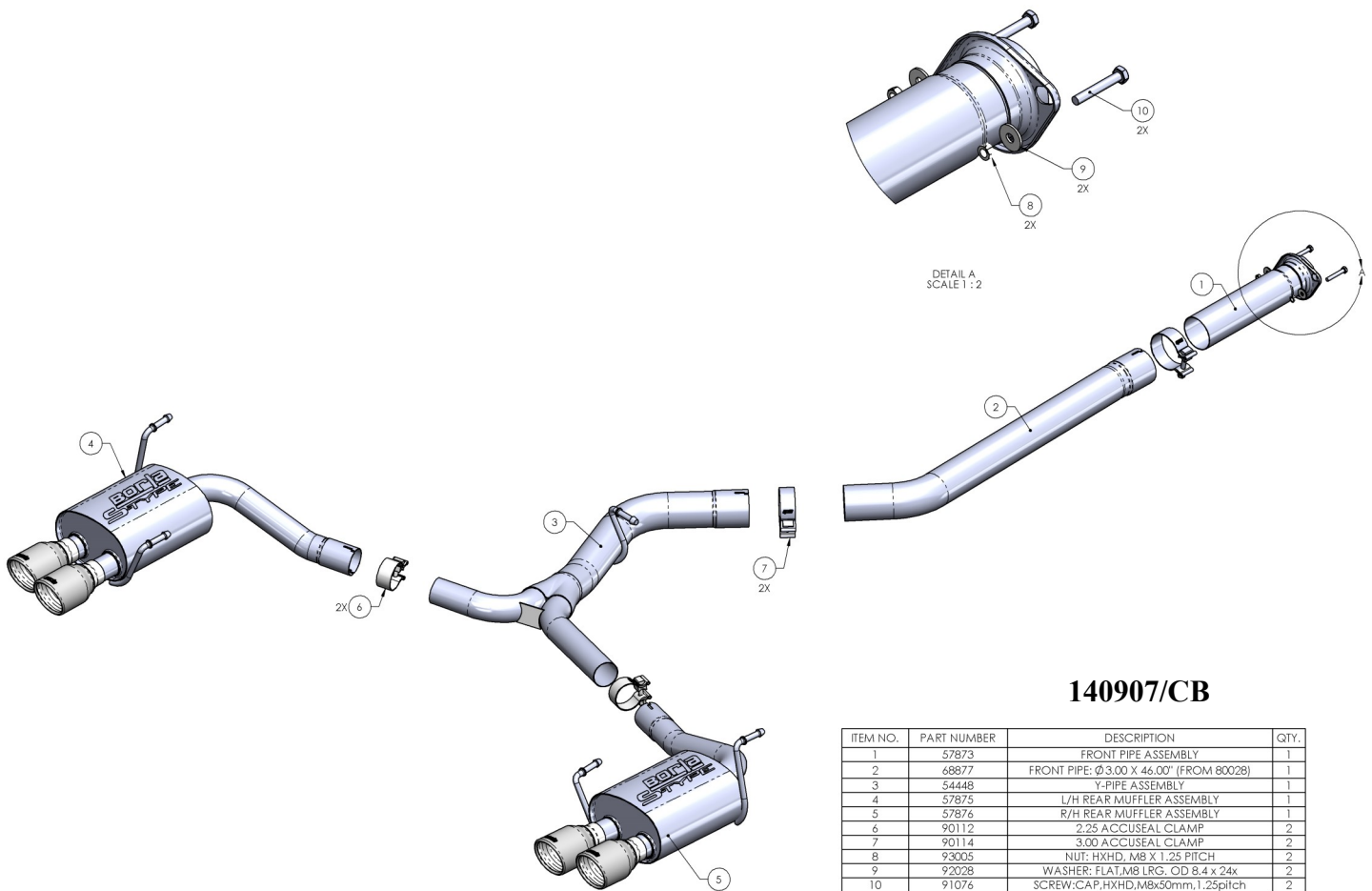
TOOLS:

1. 3/8" drive ratchet
2. 3/8" drive extension 6"
3. 12mm deep well socket
4. 14mm deep well socket
5. 15mm deep well socket
6. Pry bar

SHOP SUPPLIES:

1. Spray lubricant

Borla Performance - Bill of Materials



140907/CB

ITEM NO.	PART NUMBER	DESCRIPTION	QTY.
1	57873	FRONT PIPE ASSEMBLY	1
2	68877	FRONT PIPE: Ø 3.00 X 46.00" (FROM 80028)	1
3	54448	Y-PIPE ASSEMBLY	1
4	57875	L/H REAR MUFFLER ASSEMBLY	1
5	57876	R/H REAR MUFFLER ASSEMBLY	1
6	90112	2.25 ACCUSEAL CLAMP	2
7	90114	3.00 ACCUSEAL CLAMP	2
8	93005	NUT: HXHD, M8 X 1.25 PITCH	2
9	92028	WASHER: FLAT, M8 LRG. OD 8.4 x 24x	2
10	91076	SCREW: CAP, HXHD, M8x50mm, 1.25pitch	2

Caution!!! *Never work on a hot exhaust system. Serious injury in the form of burns can result if the vehicle has been in use and the exhaust system is hot, allow vehicle to cool for at least 1 hour. Always wear eye protection when working under any vehicle.*

Note: *It is our recommendation that you use a hoist or hydraulic lift to facilitate the installation of your new Borla Performance Exhaust System.*

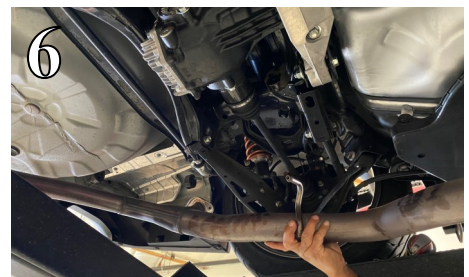
Taking all under car safety precautions, lift the vehicle using a hoist or hydraulic lift. Once this has been done, you may begin the removal of your old exhaust system from your vehicle.

Note: *Before removing the original exhaust system from your vehicle, please compare the parts you have received with the bill of materials provided on the previous page to assure that you have all the parts necessary for the installation of your new Borla Performance Exhaust System.*

Note: *With a used vehicle, we suggest a penetrating spray lubricant to be applied liberally to all exhaust fasteners and allowing a significant period of time for the chemical to lubricate the threads before attempting to disassemble.*

Original Exhaust System Removal

1. Lubricate all hangers, rubber isolators, bolts and nuts.
2. Remove hardware attaching driver side rear muffler assembly to the exhaust assembly (Fig. 2).
3. Using a flathead screwdriver or a prybar, remove the driver side rear muffler assembly hangers from their rubber isolators and remove the muffler assembly from the vehicle (Fig. 3).
4. Repeat steps 2-3 on the passenger side of the vehicle.
5. Remove the hardware connecting the y-pipe assembly flange to the vehicle (Fig. 4). This hardware will be reused on the installation of your Borla system.
6. Using a flathead screwdriver or a prybar, remove the y-pipe assembly hanger from the rubber isolator and remove the entire assembly from the vehicle (Figs. 5-6).



Borla Performance Cat-Back™ Exhaust System Installation

1. Orient components on shop floor according to Borla bill of materials drawing on page 2.
2. Install **Front Pipe Assembly** by mating the flange to the vehicle. Loosely tighten the original hardware on the flange (Fig. 7).
3. Place a clamp over the expanded end of the **Front Pipe** and insert the inlet to the **Front Pipe Assembly** (Fig. 8). Do not tighten the clamp.
4. Place a clamp over the expanded end of the **Y-Pipe Assembly** and insert the inlet to the **Front Pipe**. Insert the hanger into the original rubber isolator (Fig. 9). Do not tighten the clamp.
5. Place a clamp over the rear expanded end of the **L/H Rear Muffler Assembly** and insert the hangers into the original rubber isolators (Figs. 10-11). Do not tighten clamp.
6. Repeat step 5 for installation of the **R/H Rear Muffler Assembly**.
7. Once position has been determined to be correct, tighten the hardware on the **Front Pipe Assembly** and then tighten the Accuseal clamps to 32-35 ft. lbs (Fig. 12).
8. Before starting your vehicle, make sure to check all wires, hoses, brake lines, body parts and tires for safe clearance from the exhaust system.
9. Start the vehicle and check for any leaks. If any leaks are found, determine cause (such as loose or incorrectly positioned clamp) and repair as necessary.



WARNING: Use extreme caution during installation. Torque all fasteners according to manufacturer's torque values and tightening sequence. **DO NOT** use air impact tools to tighten fasteners on Borla Performance Exhaust Systems. Use of such tools may result in bent flanges or gasket contact areas leading to exhaust leaks.

NOTE: When you first start your vehicle after the installation of your new Borla Performance Exhaust System, there may be some smoke and fumes coming from the system. This is a protective oil based coating used in the manufacturing of mandrel bent performance exhaust tubing. This is not a problem and will disappear within a very short period of time after the exhaust has reached normal operating temperatures.