



IMPORTANT WARRANTY & INSTALLATION INSTRUCTIONS ATTACHED

*Please Forward All Attached Information to Consumer
Warranty Not Valid Unless Returned to CORSA Exhaust*

We ask that you take a few moments to complete our warranty registration form:

TO ACTIVATE YOUR LIMITED LIFETIME WARRANTY GO TO:

CORSAPERFORMANCE.COM/WARRANTY



**For Full-Color Installation Instructions, Please Visit:
CORSAPERFORMANCE.COM and Search by Part Number**

Please be sure to review the enclosed instructions prior to beginning the installation process. If you have any questions about the enclosed parts, instructions or encounter a problem during installation:

CALL CORSA PERFORMANCE TECHNICAL ASSISTANCE AT 800.486.0999

Please take time to read and understand these installation instructions.

CORSA recommends that the installation of this system be performed by a qualified service center or professional muffler installer who has the necessary equipment, tools and experienced personnel. However, if you decide to perform this install, the use of a hoist and an additional person will be required.

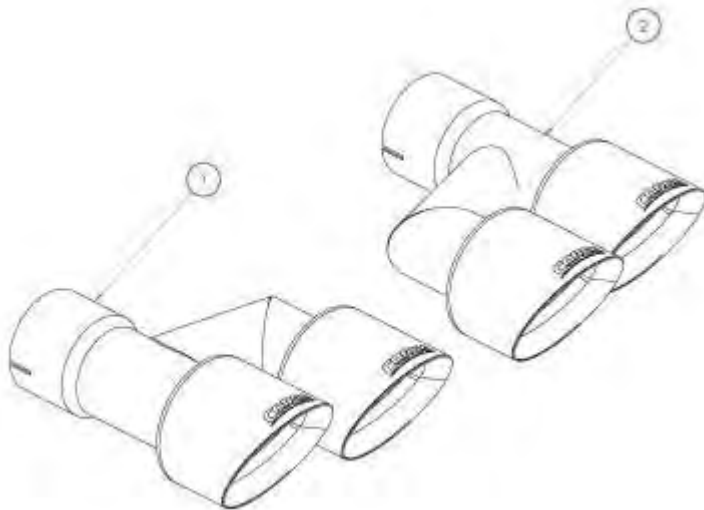
CAUTION: Never work on a hot exhaust system. Allow time for the vehicle to cool. Always wear eye protection when working under a vehicle.

NOTE: The Corsa Quad Tip Kit can only be installed on a 2015-Current Ford Mustang GT 5.0L equipped with the Premium Package and Roush rear valance.

Recommended Tools:

- 3/8" drive ratchet
- 3/8" drive 15mm deep socket
- Short extension (3")
- Torque Wrench
- Safety Glasses

Please confirm that all parts are present before beginning the factory exhaust system removal and CORSA exhaust system installation.



Anti Seize
Lubricant

Bill of Materials

1. 20MU3016 – Passenger Tip Assembly
2. 20MU3017 – Driver Tip Assembly
3. 34GR7010 – Tip Hardware Kit

CORSA Tip Assembly Removal:

1. Loosen the two clamp bolts at the inlet of the current CORSA driver and passenger tip assemblies using a 15mm socket and a 3/8" ratchet, and a short extension. **(Fig. A)**
2. CAREFULLY remove the tip assembly from the mufflers to free it from the vehicle. **(Fig. B)**

NOTE: Penetrating oil may help with removal process. Push up/down on the tip to open the notches, this will make it easier to remove the tip assembly.

3. Store the tip assembly in a safe location. CORSA recommends wrapping the tip assembly in foam or something soft and non-abrasive that will keep it from getting scratched or dented.



Fig. A



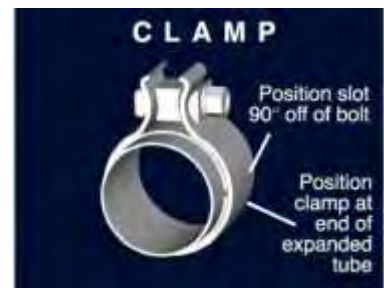
Fig. B

CORSA Tip Assembly Installation:

NOTE: The Corsa Quad Tip Kit can only be installed on a 2015-Current Ford Mustang GT 5.0L equipped with the Premium Package and Roush rear valance.

NOTE: Apply the anti-seize lubricant (supplied) to the threads **ONLY** of all the clamps. Failure to follow this procedure can cause nuts to seize on clamps and potentially destroy threads. After applying anti-seize lubricant, be sure to thoroughly clean your hands, as lubricant will tarnish stainless steel. All clamps should be tightened using a properly calibrated Torque Wrench. Using an air impact gun will damage the clamp and reduce its ability to effectively seal the joint. It may also cause the joint to separate, thereby causing damage to your exhaust system and to your vehicle.

NOTE: Align all clamps so that the center of the clamp bolt is 90 degrees from the notch in the pipe. (See Fig. CLAMP)



1. Locate the new Corsa driver tip assembly, along with a 3" clamp. Align the clamp on the tip inlet as shown, with the clamp bolts on top and the clamp nuts facing towards the center of the vehicle.
2. CAREFULLY insert the tip assembly into the driver side muffler outlet pipe (**Fig. C**) and snug the clamp using a 15mm socket, 3/8" driver ratchet and 3" extension. (**Fig. D**)
3. Repeat steps 1 and 2 for the passenger side. (**Fig. E & F**)
4. Adjust the position and depth of the tip assemblies until it is centered in the cutout, and has an equal amount of reveal on each side, then tighten the clamps using a 15mm socket and 3/8" ratchet. (**Fig. G & H**) Depending on your current system alignment, small adjustments may need to be made at the x-pipe and rear muffler connection points to fully align and center the quad tip assemblies. Torque the clamps to 45ft-lb using the torque wrench and 15mm socket, ensuring that the tips are still in the desired position. The installation of the Quad Tips is now complete.

IMPORTANT NOTE DO NOT over-tighten the clamps on the tip assembly, as this will make future removal of the tip assembly much more difficult.

NOTE: During cold weather start-ups, you may experience an exhaust sound that is deeper and louder in tone than usual. This is temporary and will diminish to normal levels once your engine has reached its normal operating temperature.

NOTE: Immediately following the installation of your exhaust system, you may experience a trace of smoke after initial start-up. DO NOT be alarmed. The smoke is caused by the burning of a small amount of forming oil residue used in the manufacturing process.

CORSA Exhaust Installation Pictures:



Fig. C



Fig. D



Fig. E



Fig. F



Fig. G



Fig. H