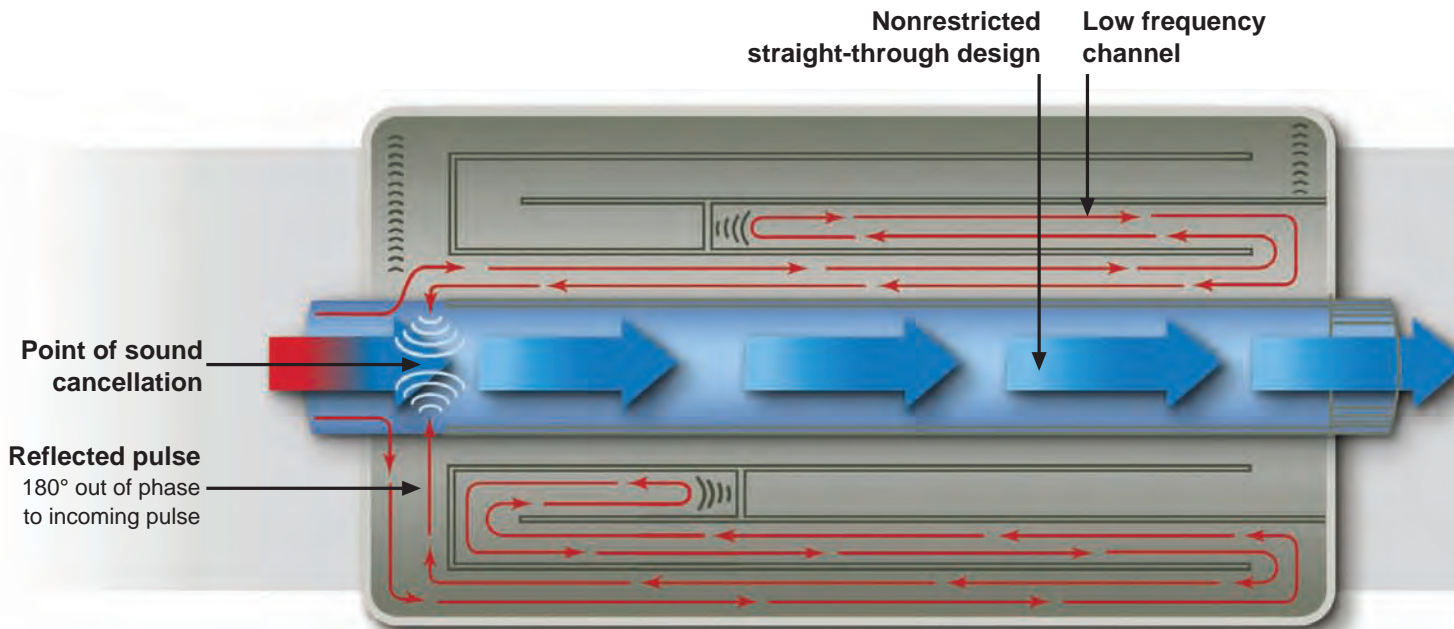


REFLECTIVE SOUND CANCELLATION



Reflective Sound Cancellation™ Technology

CORSA uses its patented Reflective Sound Cancellation™ (RSC™) technology to eliminate low frequency resonance while minimizing backpressure. Sound waves are reflected within the muffler case, producing a cancellation wave effect, with no flow restriction and without electronic devices.



The RSC™ design features a pipe running straight through the muffler, incorporating a full 360-degree air gap and allowing sound pressure waves to escape. The waves are channeled and then returned to the gap 180-degrees out-of-phase, cancelling specific sound frequencies. All that remains is the clean, crisp sound of performance.