



IMPORTANT WARRANTY & INSTALLATION  
INSTRUCTIONS ATTACHED

*Please Forward All Attached Information to Consumer  
Warranty Not Valid Unless Returned to CORSA Performance*

**We ask that you take a few moments to complete our warranty registration form:**

TO ACTIVATE YOUR WARRANTY GO TO:  
**[CORSAPERFORMANCE.COM/WARRANTY](http://CORSAPERFORMANCE.COM/WARRANTY)**



**For Full-Color Installation Instructions, Please Visit:  
[CORSAPERFORMANCE.COM](http://CORSAPERFORMANCE.COM) and Search by Part Number**

Please be sure to review the enclosed instructions prior to beginning the installation process. If you have any questions about the enclosed parts, instructions or encounter a problem during installation:  
**CALL CORSA PERFORMANCE TECHNICAL ASSISTANCE AT 800.486.0999**

**Please take time to read and understand these installation instructions.**

CORSA recommends that the installation of this system be performed by a qualified service center or professional installer who has the necessary equipment, tools and experienced personnel. However, if you decide to perform this install the use of an additional person may be required.

**CAUTION:** Never work on a hot engine bay. Allow time for the vehicle to cool.

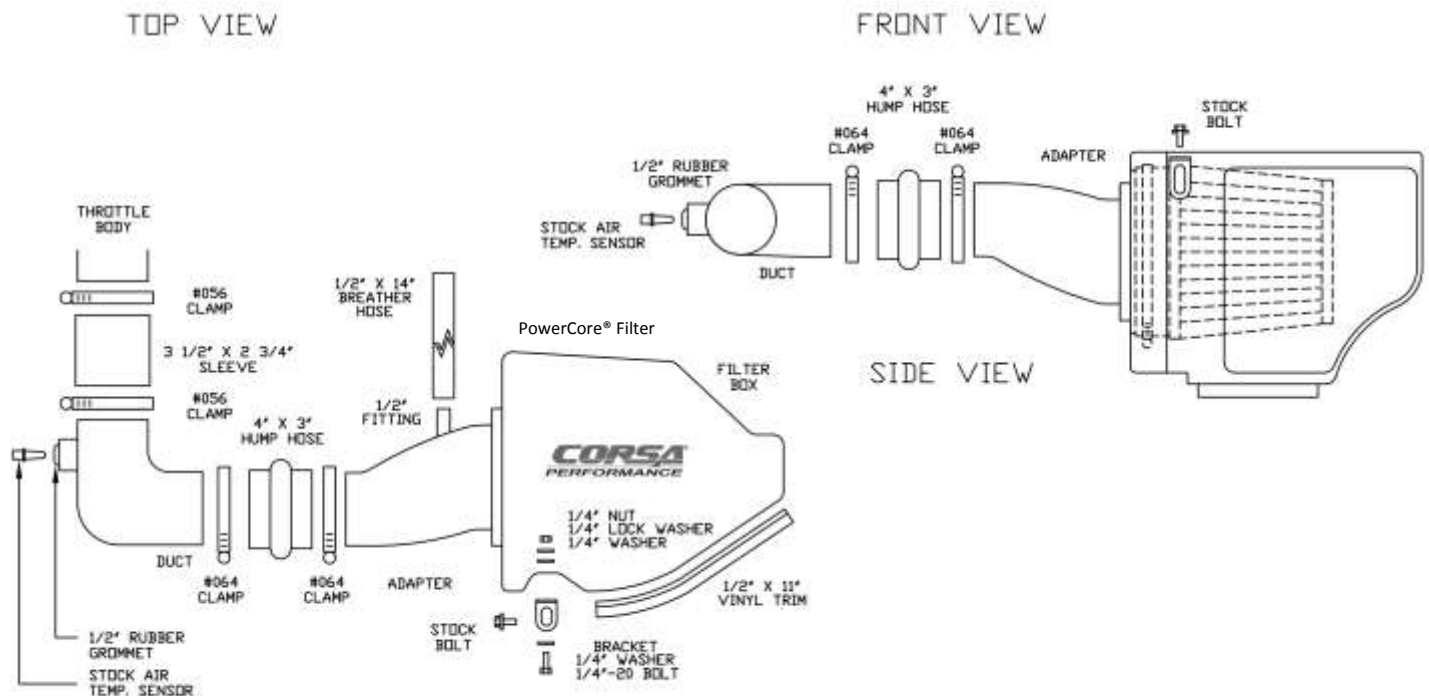
### Recommended Tools:

- Flathead Screwdriver
- Assorted Socket-Set
- Ratchet
- Ratchet Extension

**Please confirm that all parts are present according to the bill of materials before beginning the installation.**

If something is missing call Tech Support at 1- 800-486-0999

Bill of Materials					
1	CORSA Filter Box	1	3 1/2" x 2 3/4" Sleeve	1	1/2" Rubber Grommet
1	Filter Box Adapter (Preinstalled)	1	4" x 3" Hump Hose	1	1/2" x 14" Breather Hose
1	CORSA Air Duct	1	1/4" -20 Bolt	1	1/2" x 11" Vinyl Trim
1	PowerCore <sup>®</sup> #61503 w/Clamp	7	1/4" Washers	3	6mm Bolts
2	#056 Clamps	4	1/4" Lock Washers	3	6mm Nuts
2	#064 Clamps	1	Bracket (Short)		



PowerCore<sup>®</sup> is a registered trademark of Donaldson Company Inc.

### Installation Instructions:

Locate your vehicle's battery and disconnect the negative battery cable, this resets the computer and clears old air flow data to prevent CEL errors.

1. Remove the engine cover by lifting up and pulling out. **Save for reinstallation. (Fig A)**
2. Carefully unplug the Mass Air Flow (MAF) sensor. **(Fig B)**
3. Loosen the clamps on the stock air duct, on the throttle body and the stock air box, using an 8mm socket. **(Fig C)**
4. Remove the stock air duct. **Save in case vehicle needs to be returned to stock. (Fig D)**
5. Pull the stock breather hose from the stock air box and then from the engine. **Save in case vehicle needs to be returned to stock. (Fig E)**
6. Remove the stock bolt holding the stock air box using an 8mm socket. **Save for reinstallation. (Fig F)**
7. Lift and remove the stock air box. **Save in case vehicle needs to be returned to stock. (Fig G)**
8. Carefully twist the MAF sensor and remove from the stock air duct. **(Fig H)**
9. Insert the MAF sensor into the CORSA air duct. **(Fig I)**

**WARNING:** Over tightening hardware may alter the integrity of the CORSA air intake system.

10. Insert the PowerCore<sup>®</sup> filter onto the adapter inside of the CORSA air box. Tighten with an 8mm socket. **(Fig J)**
11. Attach the *(supplied)* bracket to the CORSA air box and tighten using a 7/16 socket. **Bracket height may need to be adjusted for clearance once installed inside the engine bay. (Fig K)**
12. Attach the *(supplied)* vinyl trim to the engine bay where the CORSA air box will rest against. **(Fig L)**
13. Insert the CORSA air box into the vehicle. **Check clearance below the CORSA air duct and adjust the bracket accordingly. (Fig N)**
14. Reuse the stock bolt *(from Step 6)* to secure the installed bracket *(from Step 11)* to the vehicle using an 8mm socket. **(Fig O)**
15. Slide the *(supplied)* hump hose and two *(supplied)* #64 clamps onto the CORSA air duct. **(Fig P)**
16. Slide the *(supplied)* straight sleeve with *(supplied)* two #56 clamps onto the throttle body. **(Fig Q)**

17. Insert the CORSA elbow into the CORSA hump hose. Then insert the MAF sensor end of the CORSA elbow into the installed straight sleeve on the throttle body. **(Fig R)**
18. Tighten all clamps, on the throttle body and the stock air box, using an 8mm socket. **(Fig S)**
19. Using a pry tool, pull out the plastic clips holding the MAF sensor to gain more length. **(Fig T)**
20. Plug in the MAF sensor. **(Fig U)**
21. Install the CORSA breather hose in place of the stock one you removed earlier. Then attach it to the CORSA air duct. **(Fig V)**
22. Reinstall the engine cover. **(Fig W)**
23. **Reconnect** the battery cable.

**\*Check that this air intake complies with your Federal, State and Local laws. We recommend saving your stock system.**

### BEFORE ROAD TESTING

1. Start engine, leaving the transmission in park and securing the parking brake.
2. Make sure to look and listen for any unusual noises or air leaks. Repair problems if needed.
3. Once completed it will be necessary to check periodically, after a few heat cycles, for realignment and tightening of all connections.

**FOR REPLACEMENT FILTERS REFERENCE #61503 & CALL 440-891-0999 OR TOLL FREE 1-800-486-0999**



Watch our YouTube Installation Video



[http://youtu.be/GxD\\_qO7fTTE](http://youtu.be/GxD_qO7fTTE)

PICTURES ON NEXT PAGE



### Installation Pictures



Fig. A



Fig. B



Fig. C



Fig. D



Fig. E



Fig. F

CONTINUED ON NEXT PAGE



### Installation Pictures



Fig. G



Fig. H



Fig. I



Fig. J



Fig. K



Fig. L

CONTINUED ON NEXT PAGE 

### Installation Pictures



Fig. N



Fig. O



Fig. P



Fig. Q



Fig. R



Fig. S

CONTINUED ON NEXT PAGE 

## Installation Pictures



Fig. T



Fig. U



Fig. V



Fig. W

 Watch our YouTube Installation Video



[http://youtu.be/GxD\\_qO7fTTE](http://youtu.be/GxD_qO7fTTE)