



INSTALLATION GUIDE: AWE EXHAUST SUITE FOR THE 5TH GEN RAM 1500 5.7L

For up-to-date fitment information, please visit the product page on [AWE-Tuning.com](https://www.awe-tuning.com).

THIS GUIDE IS INTENDED FOR THE FOLLOWING PART NUMBERS:

- 3015-32005 AWE 0FG Dual Exit Catback Exhaust for 5th Gen RAM 1500 5.7L (with bumper cutouts) - Chrome Tips
- 3015-33006 AWE 0FG Dual Exit Catback Exhaust for 5th Gen RAM 1500 5.7L (with bumper cutouts) - Black Tips

Welcome to the AWE family, and congratulations on your purchase of the AWE Exhaust System for the RAM 1500.

Exquisite build quality and craftsmanship, coupled with industry leading performance, distinguish this exhaust system from all others.

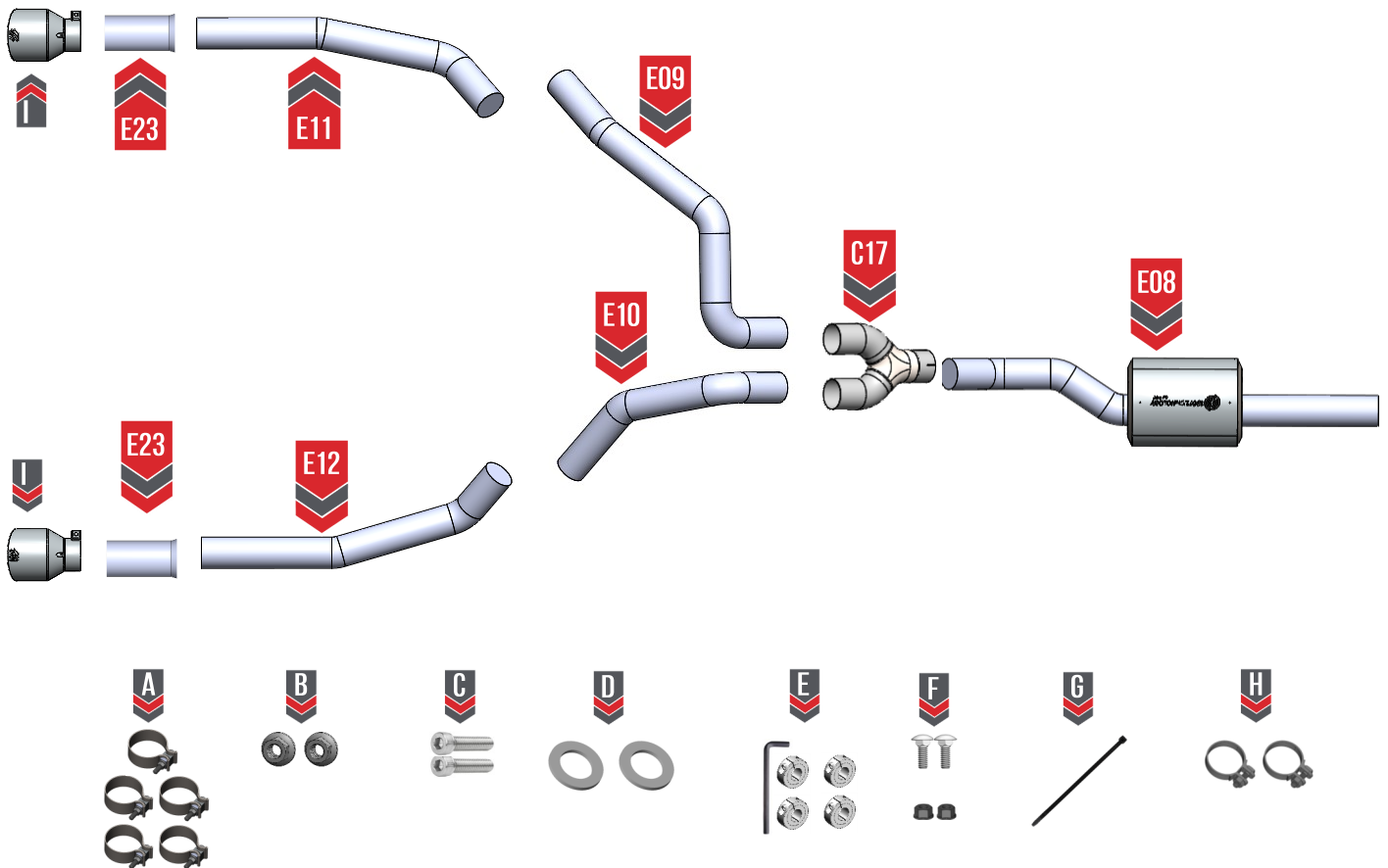
*For up to the minute fitment information, be sure to visit the AWE website. As always, AWE Performance Specialists are standing by for any questions, [right here](#).

PARTS LIST: OFG DUAL EXIT EXHAUST



Inspect **ALL** parts prior to disassembly of vehicle; If damaged or **MISSING**, please contact the place of purchase immediately.

Symbol	Part Number	Description	QTY
	E08	RAM 5th Gen Inlet Section	1
	E09	RAM 5th Gen Axle Tube Dual Driver	1
	E10	RAM 5th Gen Axle Tube Dual Passenger	1
	E11	RAM 5th Gen Rear Exit Driver	1
	E12	RAM 5th Gen Rear Exit Passenger	1
	E23	RAM 4th/5th Gen Rear Exit Dual Tip Outlet with Cutouts	2
	C17	Universal 3" Inlet Dual 3" Outlet Merge	1
A >>	TAS300	3.00in ACCU-SEAL Stainless Steel Clamps	5
B >>	3528N13	Flange Nut M10 X 1.5	2
C >>	91280A638	Hex Head M10 x 40 x 1.5 Bolt	2
D >>	93475A280	Flat Washer 20mm	2
E >>	3910-11012	Clamp Kit	2
F >>	3910-41010	Tip Hardware	1
G >>	7130K59	7.5in Cable Ties	1
H >>	SEC75	3" Barrel Clamp (Bubble)	2
I >>	180006	AWE Chrome 5" Slash Cut Tip	2
	180007	AWE Black 5" Slash Cut Tip	2





NOTE: Always refer to the manufacturer's service manual for precise torque specifications on all OEM fasteners.



CAUTION: The exhaust may be **VERY HOT** — allow adequate time for the system to cool down before disassembly. Severe burns and injury will occur if skin comes into contact with a hot exhaust system.

STEP 1

Start by removing the OE RAM exhaust by following the steps, shown in **Figure 1**.



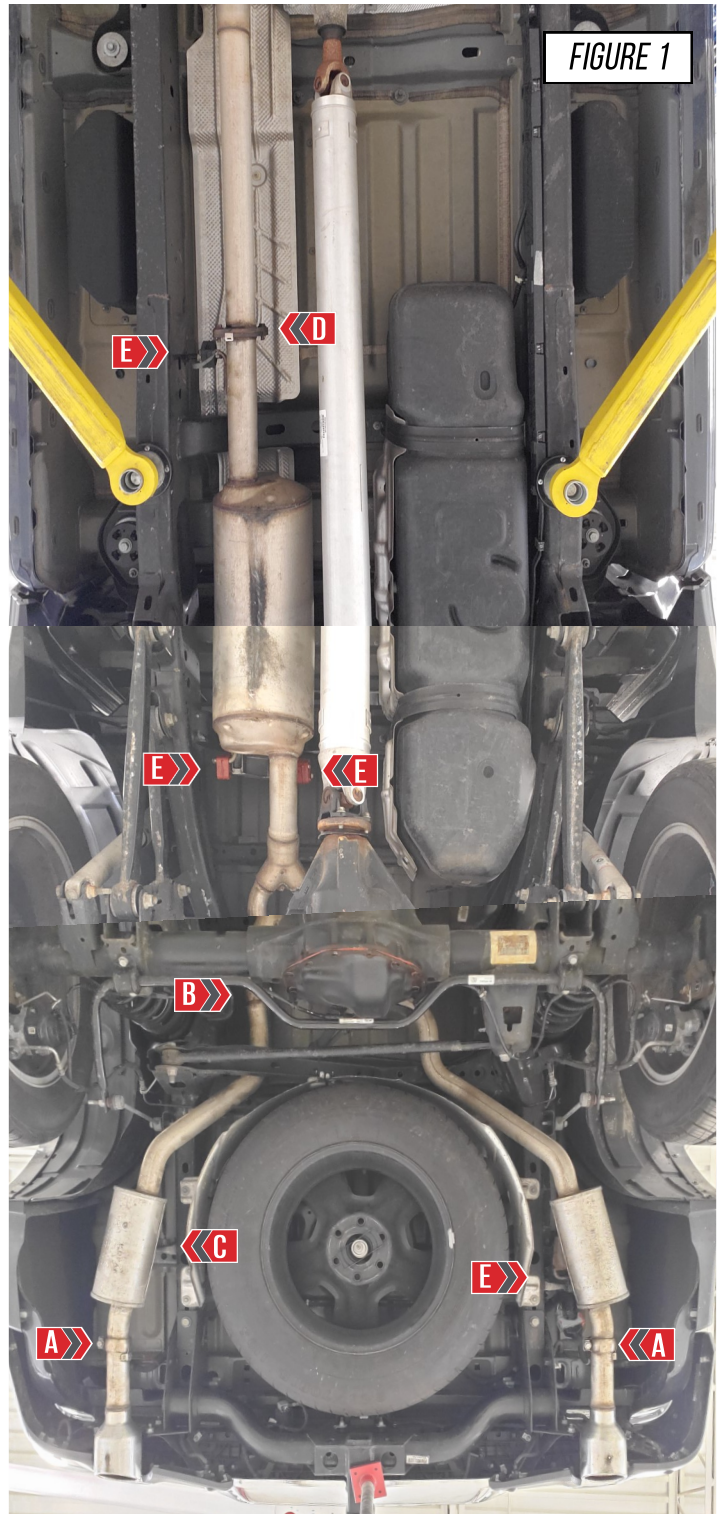
Soak all bolts in penetrant fluid before working.

1. To begin you will remove the 2 rear tip sections. This is done by loosening the ball clamp at arrow (A), and pulling off the OE components.
2. Loosen the OE clamp at arrow (B).
3. Remove the OE rubber hanger at arrow (C), this will allow you to remove the rear tail pipe section.
4. Remove the 2 bolts on the OE flange at arrow (D).
5. Remove the last 4 OE rubber hangers (E), this will allow the complete OE exhaust to be removed.

Note: The OE metal gasket at the flange will be reused with your AWE exhaust.

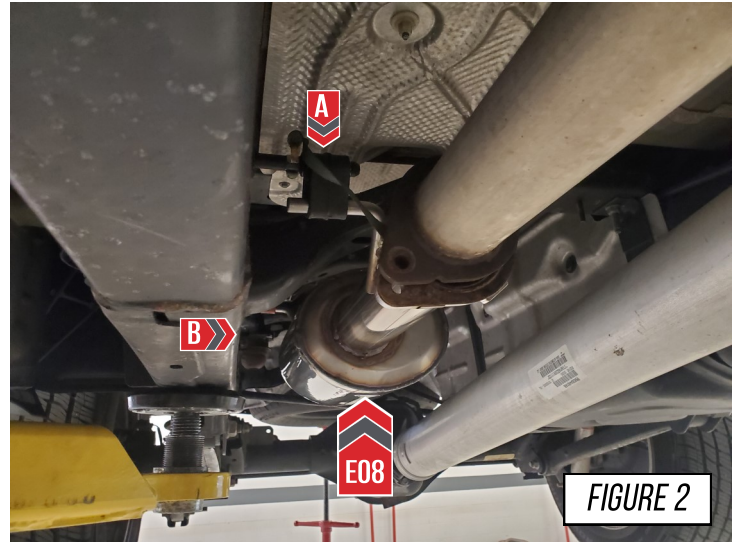
Note: The rubber hanger closet to the flange has a ground strap that will be reinstalled with your AWE system.

Note: OE hangers WILL be reused.



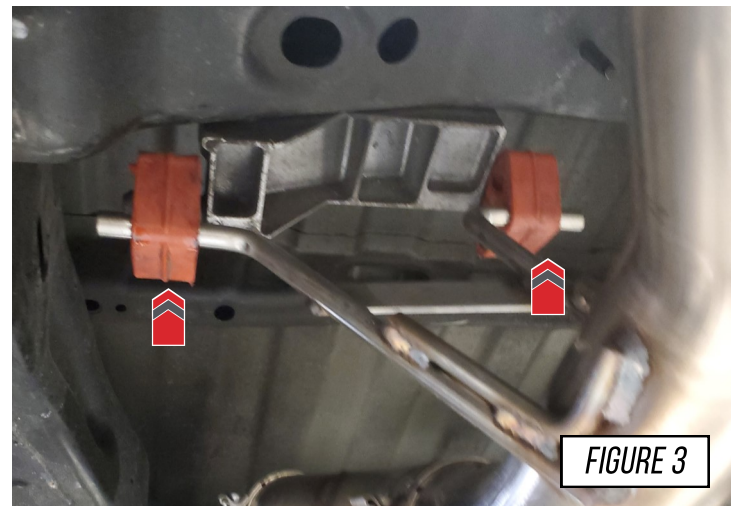
STEP 2

Start installing your AWE HR5 pipe (E08), by first attaching the pipe to the 2 OE rubber mounts (A/B) along the frame rail, as shown in **Figure 2**.



STEP 3

Slide the 3rd hanger into place, as shown in **Figure 3**.

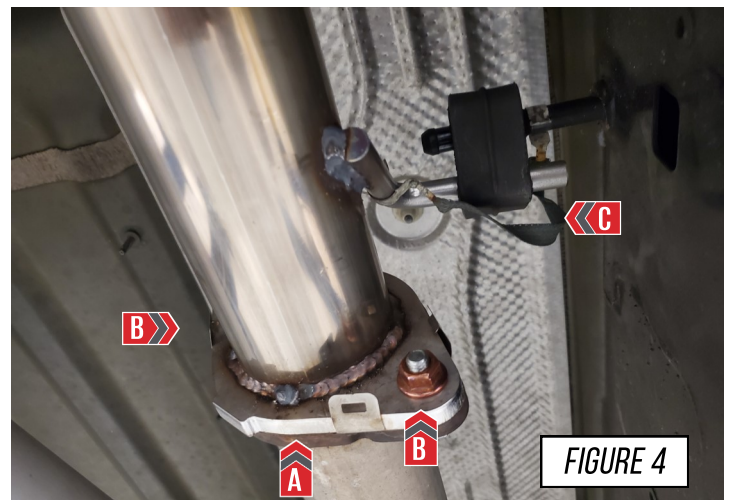


STEP 4

Reinstall the OE metal gasket (A).

Then use the provided hardware to secure the flange (B).

Reinstall the OE ground strap (C), as shown in **Figure 4**.



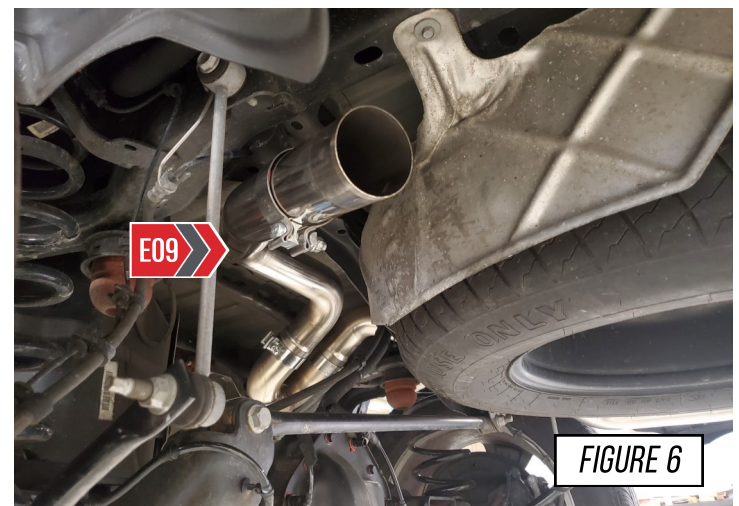
STEP 5

Slide one of the provided exhaust clamp onto the end of the pipe (A), then install your AWE Y-pipe (C17), as shown in **Figure 5**.



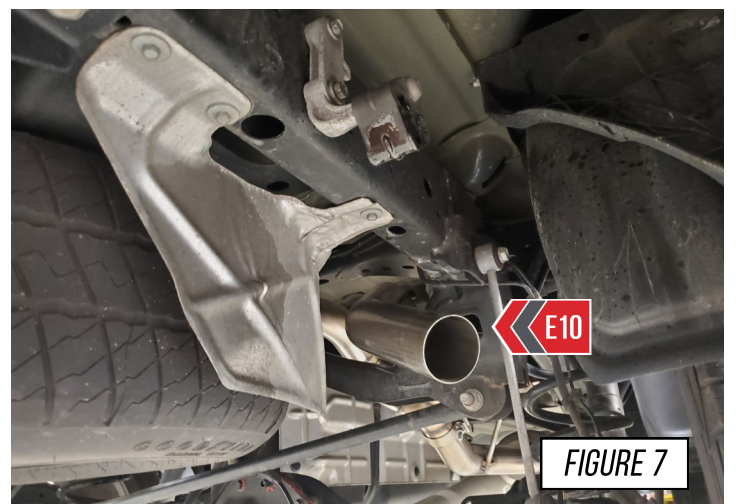
STEP 6

Install the driver side over axle tube (E09), as shown in **Figure 6**.



STEP 7

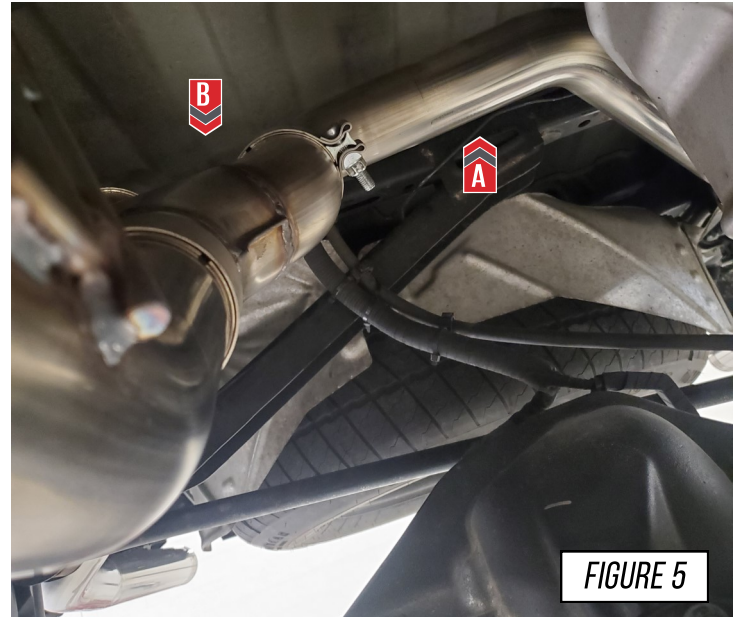
Install the passenger side over axle tube (E10), as shown in **Figure 7**.



STEP 8

With the over axle tubes in place, snug the clamps.

Looking up from the bottom try to level the Y-pipe (**B**) and the drive side pipe (**A**) with the bottom of the truck.



STEP 9

It is crucial to install each section and exhaust band clamps correctly to prevent loose joints, exhaust leaks and rattles.

Arrow A shows the expanded pipe and the preinstalled exhaust clamp being brought up to the corresponding pipe.

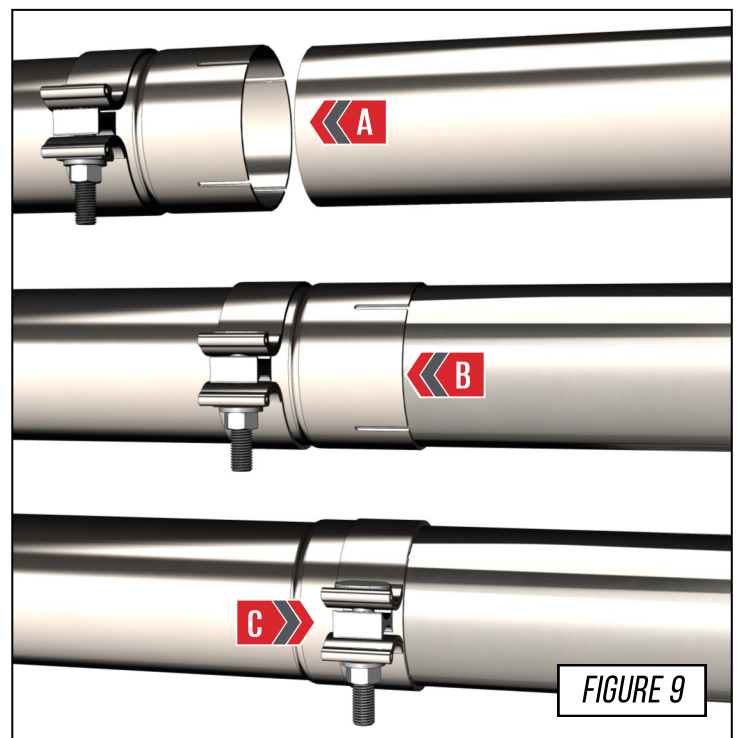
Arrow B shows the overlapping pipe installed correctly over the corresponding pipe.

Arrow C shows the exhaust band clamp being brought to the edge of the expanded pipe.



NOTES:

- **Do not** fully torque any exhaust clamp until the entire exhaust has been installed and adjusted.
- Torque specification is a **minimum** of 60 ft/lbs



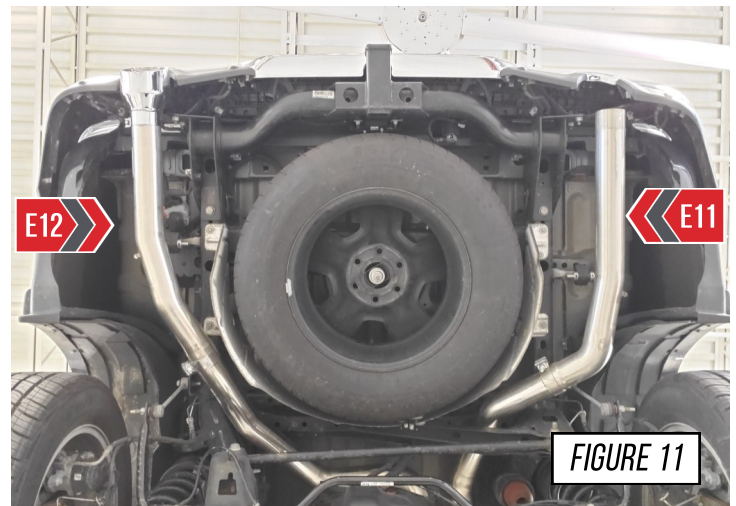
STEP 10

Next install a lock collar onto each rear hanger, as shown in **Figure 10**.



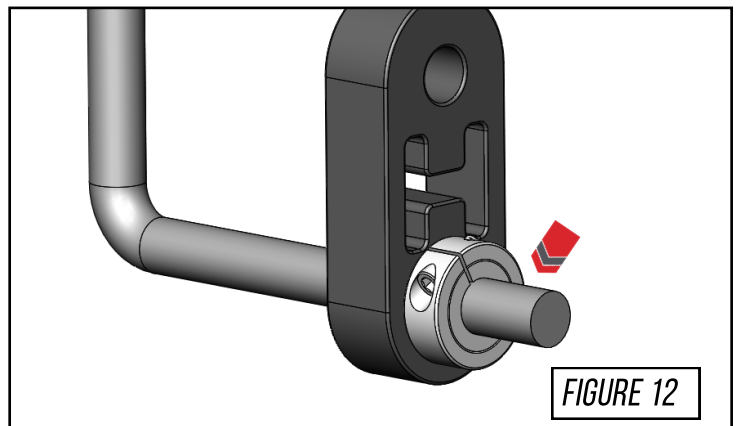
STEP 11

Install your driver (**E11**) and passenger (**E12**) rear tip sections, as shown in **Figure 11**.



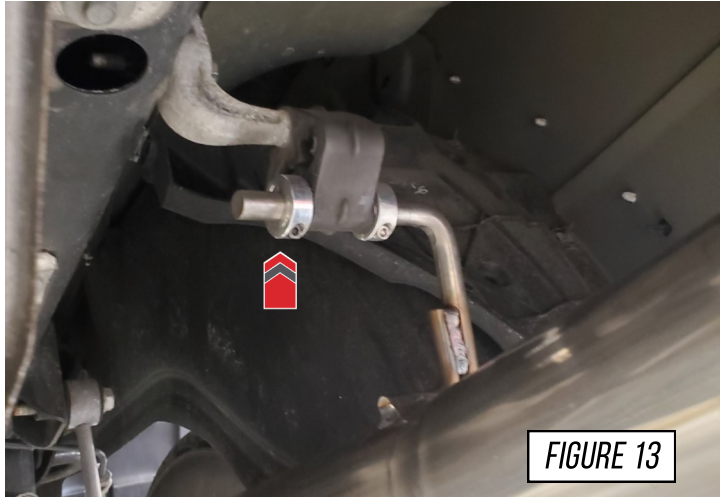
STEP 12

For the rear sections, hanger bar collar clamps are provided to prevent side to side movement of the exhaust system. After sliding the exhaust hanger bar through the OEM grommet, install the collar clamp on the outside end of the bar as shown in **Figure 12**



STEP 13

On both the driver and passenger side install a lock collar on the outside of the OE rubber hanger, as shown in **Figure 13**.

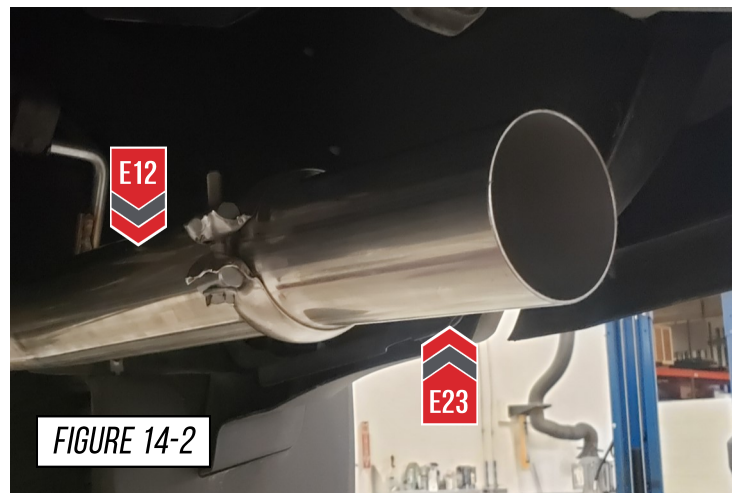
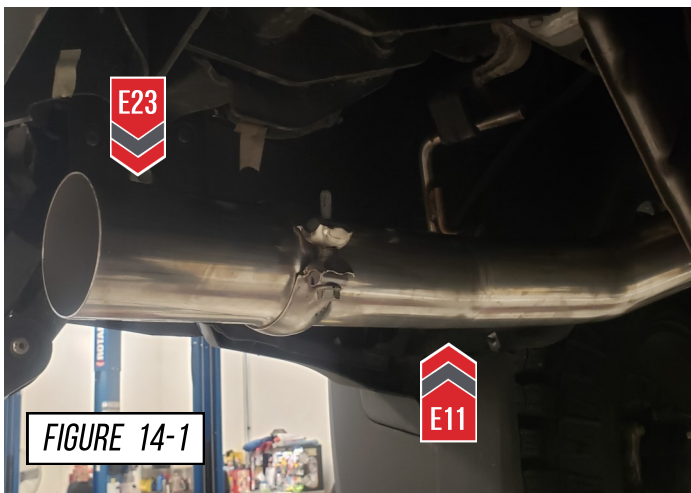


STEP 14

Next install the AWE tip outlet sections (**E23**) on the driver and passenger side rear exit tubes (**E11/ E12**). Place the tube outlets onto to ball socket and tighten so they are held in place but can still move easily for adjustment, as seen in **Figure 14-1** and **Figure 14-2**.



Note: Do not use an impact gun when tightening the clamp on the ball socket.



STEP 15

Install your AWE tips and leave the clamps loose to allow for adjustment, as shown in **Figure 15-1**, and **Figure 15-2**.



Note: Do not use an impact gun when tightening the clamp on the tip.

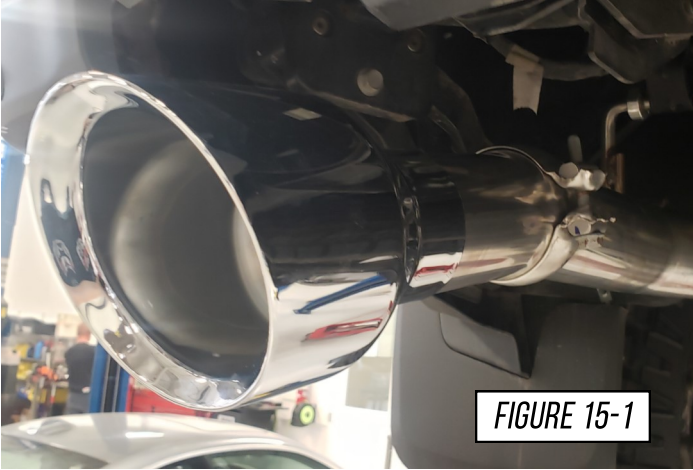


FIGURE 15-1



FIGURE 15-2

STEP 16

To install the exhaust tips with integrated clamps, first, attach the exhaust tip in the proper orientation onto the exhaust outlet tube.

Insert one of the carriage bolts from the hardware kit (**3910-41010**) through the tab on the exhaust tip and thread on one of the corresponding nuts.

Using anti-seize on the bolt threads will help installation and prevent breakage of hardware.



This exhaust system only has 2 exhaust tips while the integrated clamp kit has enough hardware for our 4 tip exhaust systems. You will have 2 sets of hardware left over that will not be used.

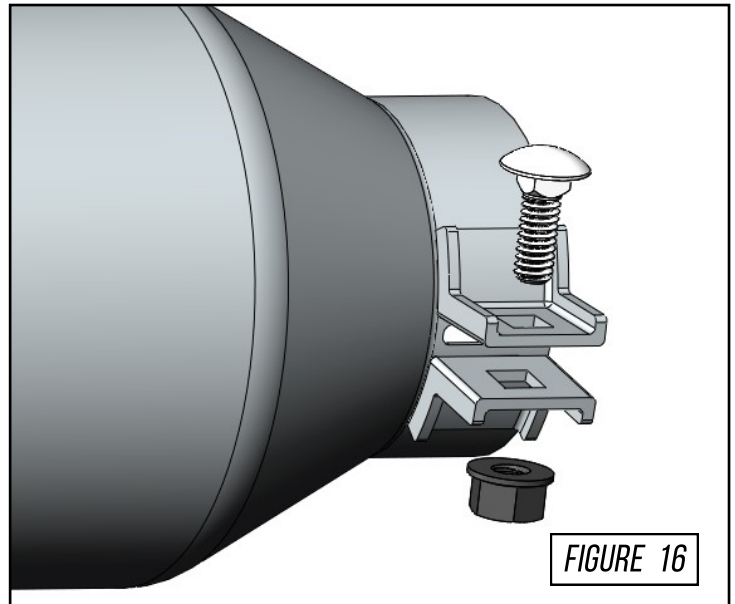
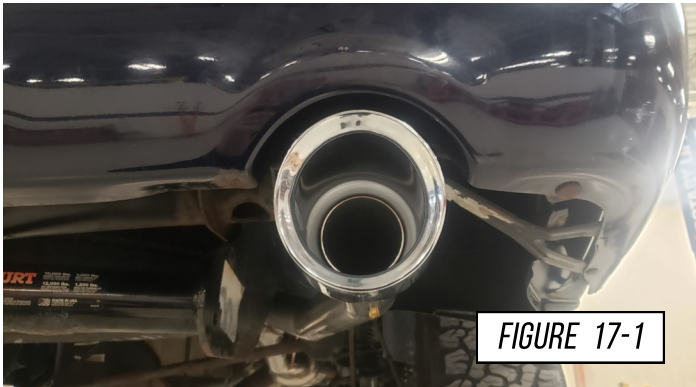


FIGURE 16

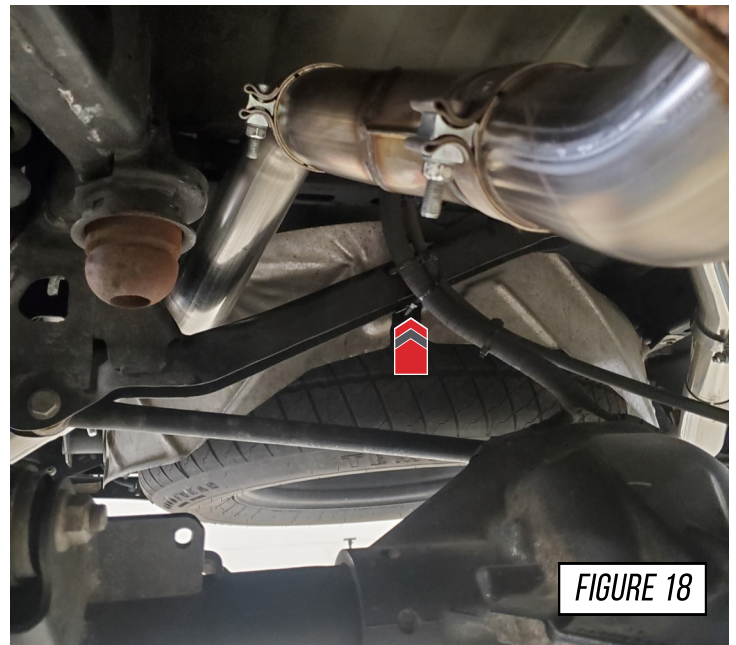
STEP 17

Lastly, make any adjustments required to space the tips evenly. This may vary from vehicle to vehicle. Make adjustments by rotating the tubes at the joints. The tips should sit in the cutouts as shown in **Figure 17-1**, and **Figure 17-2**.



STEP 18

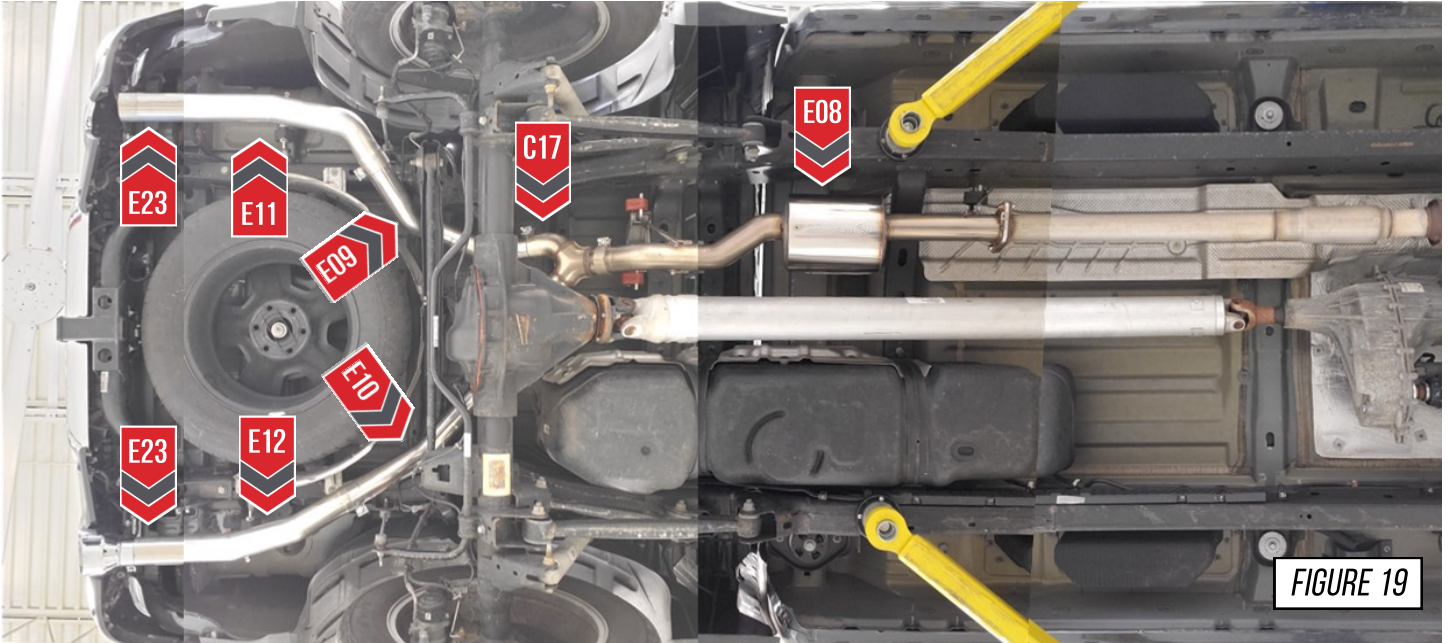
Use the supplied cable tie to secure the OE wiring harness to the chassis brace, as shown in **Figure 18**.



STEP 19

Check over the exhaust for proper fitment and clearance.

With all tubes positions correctly, tighten all clamps in the system to at least 60 ft/lbs.



ENJOY!



TROUBLESHOOTING

Issue	Solution
Exhaust is not fitting correctly	Most fitment issues are due to improperly adjusted exhaust. This includes tip fitments and rattling due to chassis contact. Check out our fitment guide for more installation tips.
Wrong or missing parts	Double check the parts list for your system and compare them with what you received. Fill out our contact form, found below and let us know what parts you need.

CARE

Once installed properly, your AWE exhaust will provide years of trouble-free performance.

The exhaust volume and sound will settle with usage; 800-1000 miles is required to break-in new exhaust systems.

Also, please note that the rear **180Technology®** resonator has a small drain hole to allow condensation to escape. Water drops from this area are normal.

Periodic cleaning of exhaust tips is necessary to maintain proper finish, especially in areas prone to road salt and caustic deicing solutions. Use a mild soap and water solution or car wax to clean the finish. Avoid using abrasive polishes, as they can scratch the finish.

Any questions or comments,
please do not hesitate to contact us:

AWE
199 Precision Drive
Horsham, PA 19044
215-658-1670
[CONTACT FORM](#)

WARRANTY

Up-to-date warranty information is found [HERE](#).