

HARDWARE KIT & INSTALLATION COMPONENTS


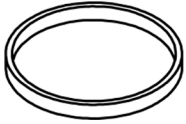

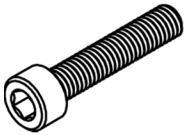
AO		1	B58 SPACER	B58-S-1	(SEE DIAGRAM #1.1) APPLY SILICON ON CYLINDER HEAD SIDE OF SPACER
I		6	RUNNER O-RING (GREEN) *OEM PARTS (NOT SUPPLIED)	B58-G-1	(SEE DIAGRAM #1) INSTALL INTO INDIVIDUAL CYLINDER GROOVES ON BOTTOM OF MANIFOLD OUTLET TANK *INSPECT FOR DAMAGE BEFORE INSTALLATION BMW OEM #11618637800
K		7	M6 SPLIT LOCK WASHER (CLEAR ZINC) *SUPPLIED WITH 8200 KIT	B58-W-1	(SEE DIAGRAM #1) REUSE FROM HARDWARE KIT #1 FOR CSF #8200
AN		7	M6 X 1.00 X 40 SHCS (CLEAR ZINC)	B58-B-8	(SEE DIAGRAM #1) MANIFOLD-TO-CYLINDER HEAD BOLT USE QTY. 7 WASHERS (K)

DIAGRAM #1

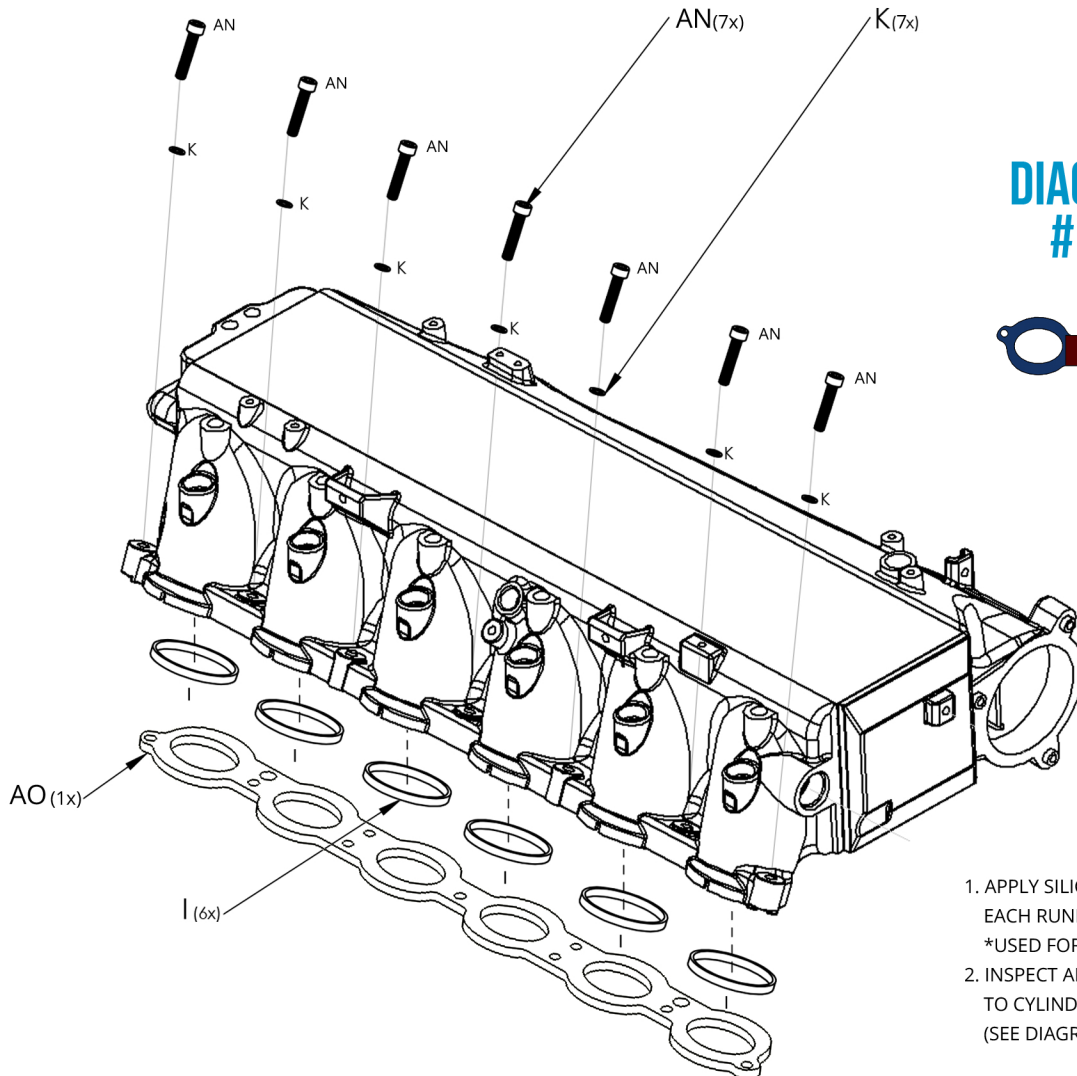


DIAGRAM #1.1



1. APPLY SILICON ON CYLINDER HEAD SIDE OF SPACER IN BETWEEN EACH RUNNER AND SMOOTHEN FLAT (SEE DIAGRAM #1.1)
*USED FOR HOLDING THE SPACER IN PLACE DURING INSTALL
2. INSPECT AND REINSTALL OEM GASKETS (GREEN COLOR) TO CYLINDER RUNNERS ON THE OUTLET SIDE OF THE MANIFOLD (SEE DIAGRAM #1).