



## VA/GV SUBARU WRX/STI EXHAUST INSTALLATION GUIDE

Thank you for purchasing the **AWE Track Edition** or **Touring Edition Exhaust System** for the **VA/GV Subaru WRX** or **STI**. For up-to-the-minute fitment information, be sure to visit the Subaru section of the [AWE website](#).

As always, AWE Performance Specialists are standing by for any questions, at 215-658-1670, or email us [here](#).

Let's go!

# PARTS LIST



**INSPECT ALL PARTS PRIOR TO DISASSEMBLY OF VEHICLE; IF DAMAGED OR MISSING, PLEASE CONTACT THE PLACE OF PURCHASE IMMEDIATELY.**

**Quantity Part Description**

**Part Number**

***Track Edition & Touring Edition Parts:***

1	Mid-pipe section (part A34)	A34
1	Axle pipe section (part A35)	A35
4	102mm slash cut tips ( <i>optional finish</i> )	180010 (Chrome) or 180011 (Black)
1	Exhaust donut gasket	50030

***Track Edition Only:***

1	Driver rear section (part A38)	A38
1	Passenger rear section (part A39)	A39

***STI Touring Edition Only:***

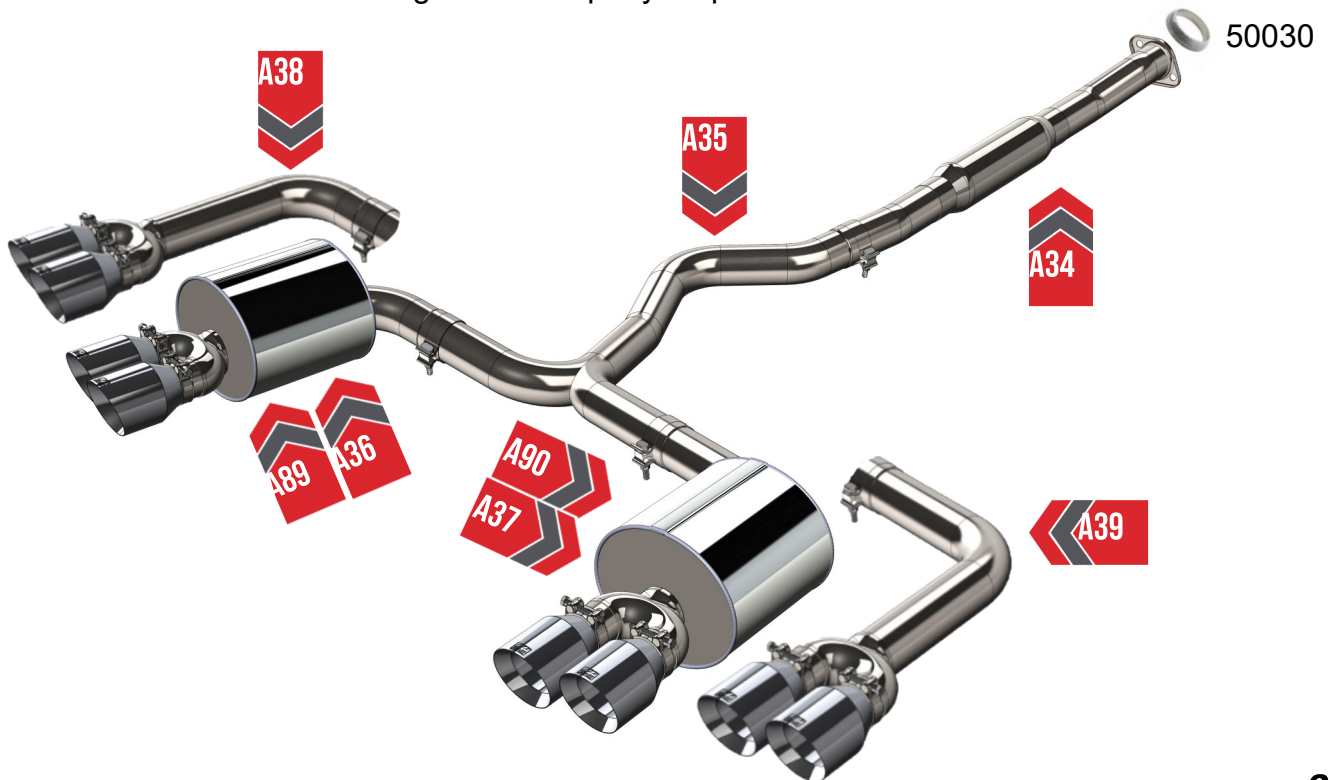
1	Driver rear section (part A36)	A36
1	Passenger rear section (part A37)	A37

***WRX Touring Edition Only:***

1	Driver rear section (part A89)	A89
1	Passenger rear section (part A90)	A90

***Hardware Kit:***

3	3.0" (76.2mm) Accu-Seal clamps	TAS300
1	Hardware kit for integrated clamp style tips	3910-41010



## STEP 1



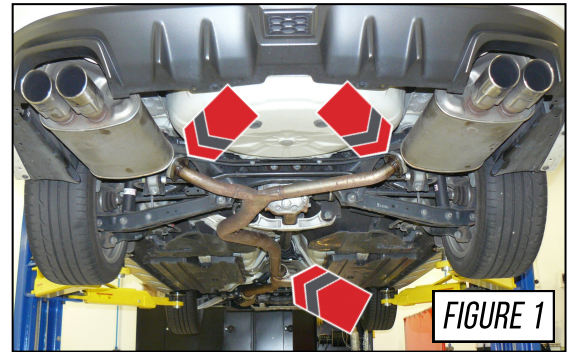
Installation of the AWE Performance Exhaust System is the reverse of the removal OEM exhaust.



Always refer to the manufacturer service manual for precise torque specifications on all OEM fasteners.

If a downpipe is being installed, it is best to complete both installations at the same time. Adjusting final exhaust tip location can differ between a stock downpipe and any aftermarket unit.

Prior to removal, spray each flange, bolt and hanger bushing with a penetrant oil to help with loosening and disassembly.



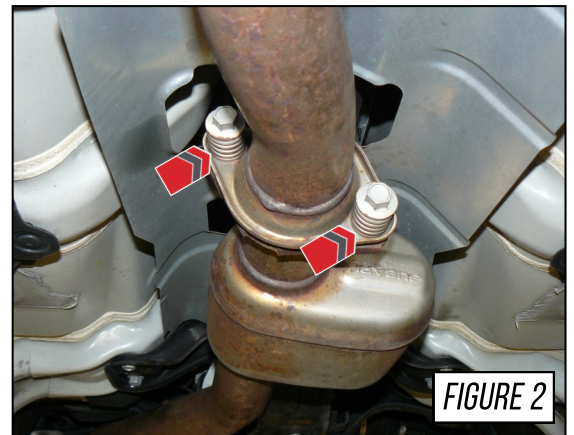
## STEP 2

Remove the spring-bolts located at the downpipe flange, as shown by the arrows in **Figure 2**.

Set spring-bolts aside for reuse during installation of the AWE Performance Exhaust.



**NOTE:** If the downpipe has already been installed, proceed to *Step 4*. As the factory exhaust has already been removed.



## STEP 3

Loosen the flange bolts located at the arrows in **Figure 3**.

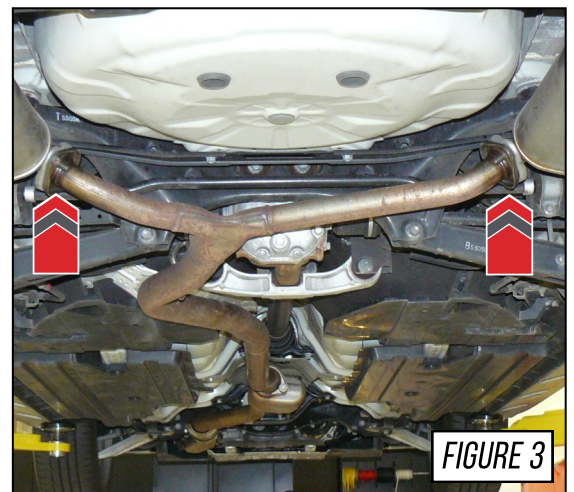
Remove the mid-pipe section from the car.

Remove the rear muffler assemblies from the car.



**NOTE:** Removing the mid-pipe section first makes removal of the mufflers easier.

The AWE Performance Exhaust is ready to be installed.



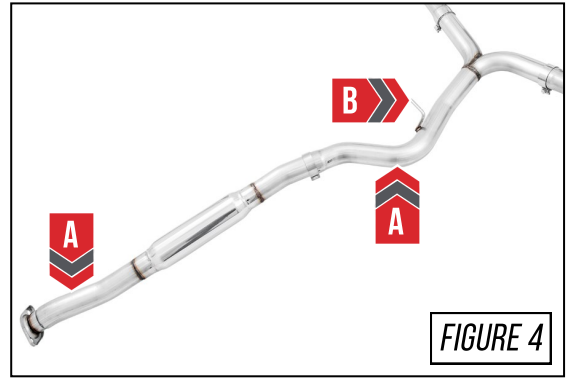
## STEP 4

Using one of the included 3.0" Accu-Seal clamps, preassemble the mid-pipe section (part A34) and the axle-pipe section (part A35), as shown by **Arrows A** in **Figure 4**.

Install assembly onto the flanged outlet of the downpipe.

Lift the axle-pipe section hanger into the associated hanger on the car, hanger shown by **Arrow B** in **Figure 4**.

Thread the original spring-bolt hardware at the flange, at the inlet side of the mid-pipe section.



**NOTE:** Do not torque or over-tighten any clamps or bolts until the entire exhaust system has been installed and adjusted.



**NOTE:** If installing the AWE Exhaust with the OEM Downpipe use the donut gasket provided with the system



**NOTE:** The AWE Exhaust system is designed to work with the OEM downpipe flange. For fitment information regarding aftermarket downpipes to the AWE Exhaust system please refer to your aftermarket downpipe manufacturer

## STEP 5

Using the remaining 3.0" Accu-Seal clamps, install both the driver and passenger side rear sections, as shown by **Arrows A** in **Figure 5**.

Use the included tip clamps to install the slash-cut tips at each outlet, as shown by **Arrows B** in **Figure 5**.





## STEP 6

It is crucial to install each section and Accu-Seal clamp correctly to prevent loose joints and exhaust leaks between the tubing connections.

**Arrow A** in **Figure 6** shows the expanded pipe and the preinstalled Accu-Seal clamp being brought up to the corresponding pipe.

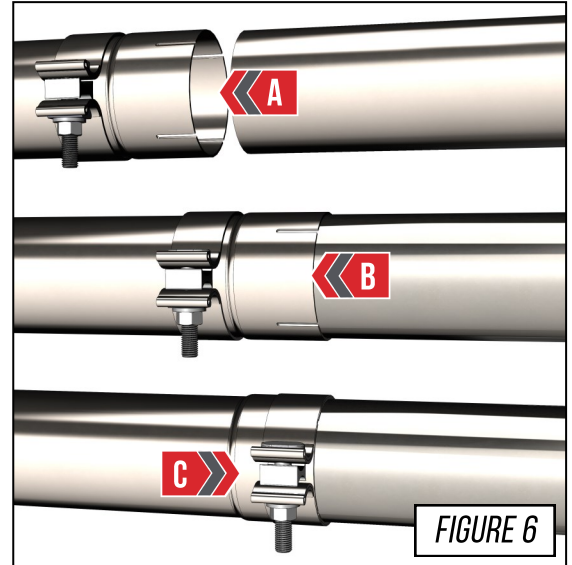
**Arrow B** in **Figure 6** shows the overlapping pipe installed correctly over the corresponding pipe.

**Arrow C** in **Figure 6** shows the Accu-Seal clamp being brought to the edge of the expanded pipe.

### NOTES:



- Do not torque any Accu-Seal clamp until the entire exhaust has been installed and adjusted.
- Torque specification is a minimum of 40 ft/lbs.



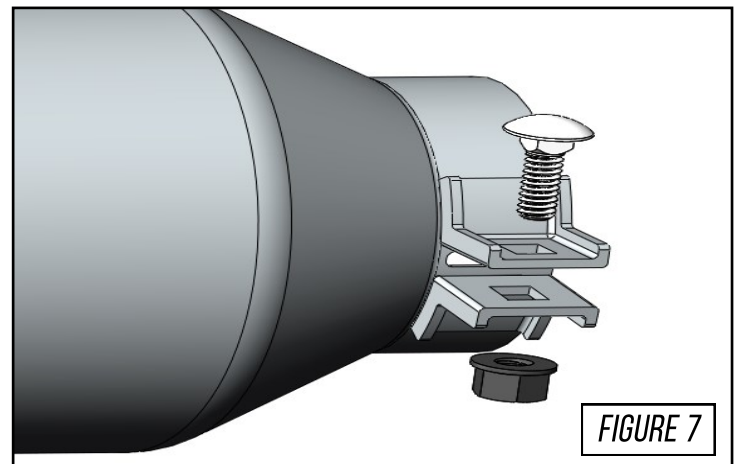
## STEP 7

To install the exhaust tips with integrated clamps, first, attach the exhaust tip in the proper orientation onto the exhaust outlet tube.

Insert one of the carriage bolts from the hardware kit (**3910-41010**) through the tab on the exhaust tip and thread on one of the corresponding nuts.



This exhaust system only has 2 exhaust tips while the integrated clamp kit has enough hardware for our 4 tip exhaust systems. You will have 2 sets of hardware left over that



## STEP 8

After the exhaust has been adjusted and the tips are located correctly within the tip pockets, torque the factory spring-bolts, located at the downpipe flange, to factory specification. Torque each Accu-Seal clamp from the beginning to end, in that order.



# ENJOY!





## CARE

Once installed properly, your AWE Performance Exhaust will provide years of trouble-free performance.

The exhaust volume and sound will settle with usage; 800-1000 miles is required to break-in new exhaust systems.

Also please note that the rear **180Technology®** resonator has a small drain hole to allow condensation to escape. Water drops from this area are normal.

Periodic cleaning of exhaust tips is necessary to maintain proper finish, especially in areas prone to road salt and caustic deicing solutions. Use a mild soap and water solution or car wax to clean the finish. Avoid using metal polishes, as they can scratch the finish.