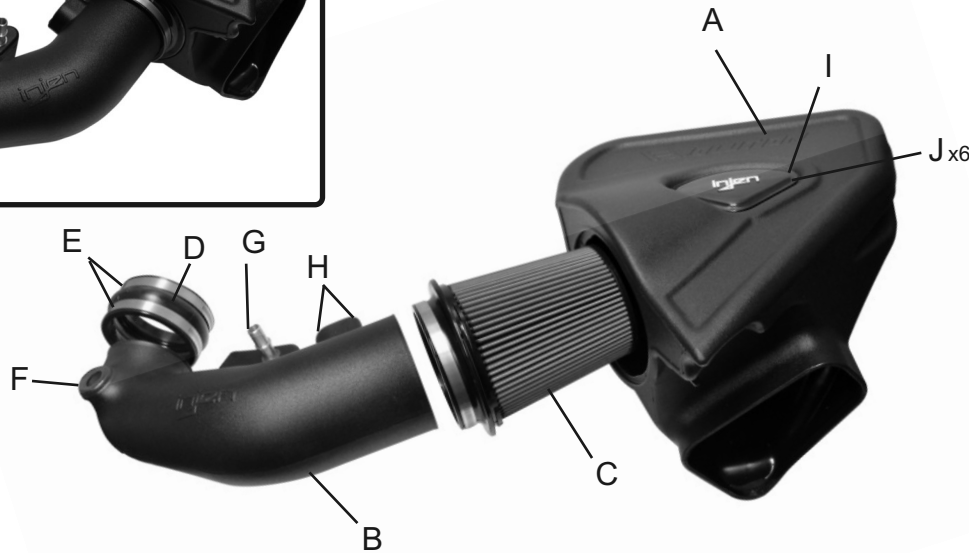




Vehicle Application:			
Make:	Chevrolet		
Model:	Camaro		
Year:	2016-2020		
Engine:	6.2L V8		



Item	QTY.	P/N	Discription
A	1	#15126	Air Box
B	1	#15125	Intake tube
C	1	#1093	Twist-Lock™ dry filter
D	1	#3250	4" hump hose
E	2	#4006	#64 clamps
F	1	#8033	Large grommet
G	1	#14063	Machined 5/8" Fitting
H	2	#6047	M4 screws
I	1	#15139	Small Window
J	2	#6109	Self retaining lock washers

EXPLODED VIEW

WARNING: FAILURE TO FOLLOW INSTALLATION INSTRUCTIONS AND NOT USING THE PROVIDED HARDWARE MAY DAMAGE THE INTAKE SYSTEM, ENGINE AND COMPONENTS!!!
***Do not attempt to install the intake system while the engine is hot.**
 Severe burn could result from touching hot engine components!

TOOLS REQUIRED	
•	10mm Ratchet & Socket
•	8mm nut drive
•	Allen key
•	Needle nose
•	Phillips Screwdriver
•	Pliers

Report any defective or missing parts to the authorized Injen dealer you purchased this product from. Before installing any parts of this system, please read the instructions thoroughly. If you have any questions regarding installation, please contact your Injen Technology dealer. Installation DOES require some mechanical skills. A qualified mechanic is always recommended.

A Limited Lifetime Warranty to the original purchaser against defects in material and workmanship on all Injen intake systems excluding the filter element. Any and all warranty coverage is limited to the repair or replacement of the defective part only, at Injen Technology's discretion. The warranty does not cover incidental or consequential damages, nor does it cover the cost of installation or removal of the defective part or its replacement. Proof of purchase is required.

Instruction Manual P/N:EVO7301

NOTE: This intake kit may not work on vehicles with the following aftermarket modifications.

- Aftermarket Intercooler piping
- Aftermarket intercooler
- Turbo upgrade

Injen intake systems are street legal in most states unless the state is adopting to California Emissions standards. States that have adopted California emission standards include: Arizona, California, Connecticut, District of Columbia, Maine, Maryland, Massachusetts, New Jersey, New Mexico, New York, Oregon, Pennsylvania, Rhode Island, Vermont, and Washington. These states will require an California Air Resource Board Executive Order Number (CARB E.O.) for the legal use of an Injen intake system in your vehicle for use on public roads or highways. These vehicle will be considered "Legal in California only for racing vehicles competition use only, which may never be used upon a public street or highway. **Please keep your factory air box assembly for any future use.**

The SuperNano-Web filter media is a dry synthetic media that outperforms the competition. The media itself is a proprietary base blend of synthetics and cellulose. Cellulose fibers are larger than synthetic fibers, and have larger spaces between the fibers, causing contaminants to load in the depth of the media and plug the airflow path. This creates higher restriction levels and less capacity. The synthetic fibers in the SuperNano-Web media are submicron in diameter and have small interior fiber spaces, which result in more contaminants being captured on the surface of the media. This can help keep restriction levels low as the filter loads with dirt and containments



The image block contains the Injen Technology logo at the top left. Below it are two side-by-side microscopic images of filter media. The left image shows a coarse, open-weave structure labeled 'Existing media without Injen SuperNano-Web Technology'. The right image shows a much denser, finer-weave structure labeled 'Superior Injen SuperNano-Web Technology'. To the right of these images is a large, detailed view of the SuperNano-Web media, showing its complex, multi-layered structure. Below this large image is a spider icon and the text 'A New Generation of Filters Designed to perform and filter like no other'. At the bottom of the block is the text 'INJEN SuperNano-Web Technology'.

If you look at the picture to the left, you can see the Nano-fiber web on top of our base media. That web, or SuperNano-Web as we like to call it, helps trap smaller particles and protect your engine.

To Clean your filter:

Carefully remove the filter from the housing. Once removed, wipe down the housing using a clean shop towel, being careful not to knock any dirt and/or debris in the air inlet. Your filters can be cleaned by carefully vacuuming the filter media from the dirty side, or by holding the filter with one hand and carefully blowing the filter media at a 45-degree angle from the clean side using low-pressure shop air (15-20 lbs. psi).

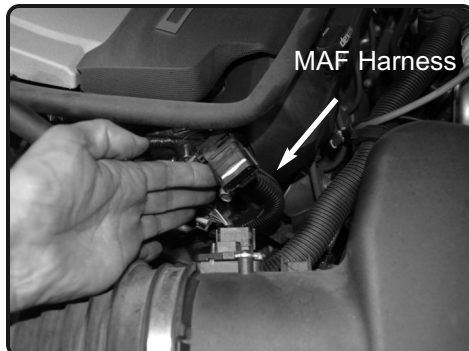
****IT IS IMPORTANT TO NOT USE ANY CLEANERS ON THE SUPERNANO-WEB MEDIA OR APPLY ANY OIL!!!***

NOTE: DISCONNECT BATTERY BEFORE INSTALLATION!!!

Instruction Manual P/N:EVO7301



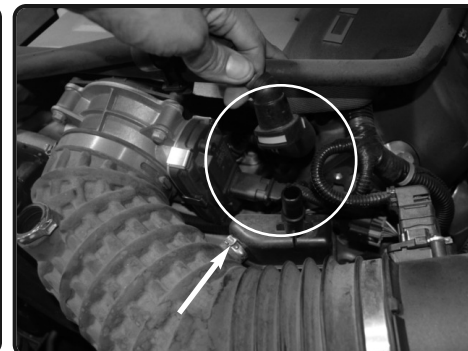
1. Stock intake system shown.



2. Disconnect the MAF sensor harness and pull line away from the intake tube.



3. With 8mm nut driver, loosen the clamp on the throttle body and pull back tube.



4. Now disconnect the Crank case fitting from the intake tube and pull back from tube.



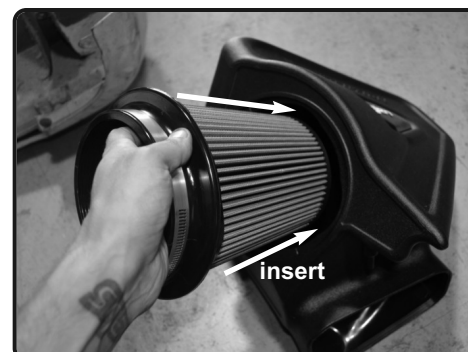
5. With pliers or flathead screwdriver, pull back the clamp to the sound tube fitting and pull back from the intake tube a



6. Pull sound tube away from the air box clip.



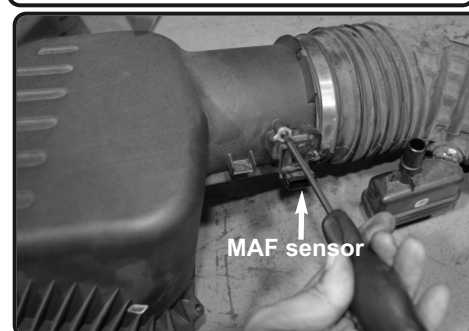
7. Now lift up and remove the OEM intake system out of the vehicle.



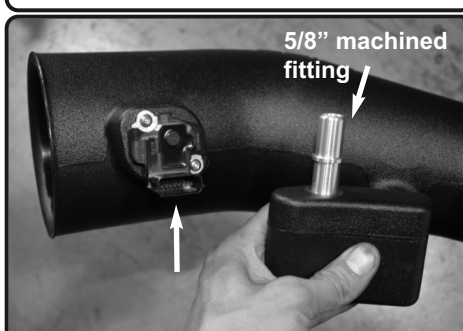
8. Install the filter into the air box housing. Position the Twist-Lock™ filter pattern to the hole cut out on air box.



9. Now secure the Twist-Lock™ filter turning 1/4 turn in either direction. Make sure the filter locks into place.



10. Using T25 torx bit, loosen and remove the 2 screws holding in the MAF sensor and remove from OEM intake tube.



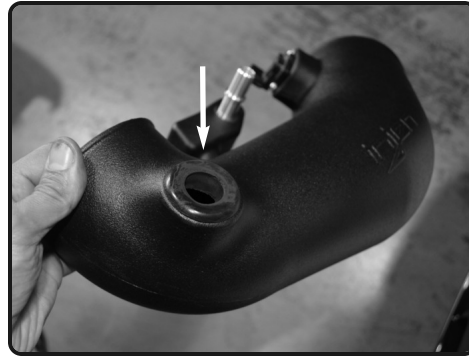
11. Install the MAF sensor into the tube. Secure and tighten the MAF sensor using provided M4 button head screws. Make sure fitting is installed and secured.



12. Now install the air box into the vehicle. Position the tabs on air box to OEM grommet locations.



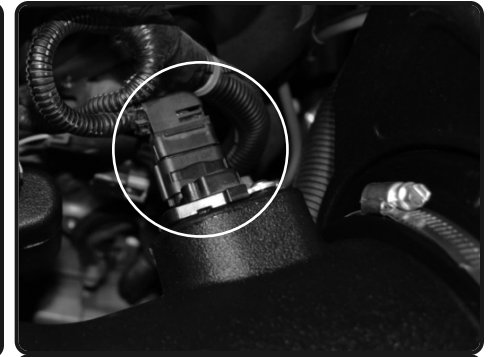
13. Install the 4" hump hose with clamps to the throttle body. Tighten clamp on throttle body only.



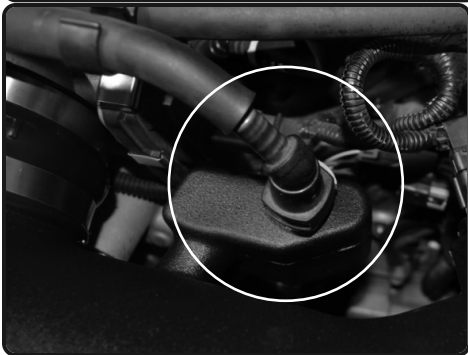
14. Install the large grommet to the hole on the intake tube



15. Install the intake tube into the vehicle. Position the intake tube to the throttle body and filter. Adjust and tighten clamps.



16. Re-connect the MAF sensor harness.



17. Re-connect the crank case line to the fitting on the intake tube. Make sure you hear the click to make sure its secured.



18. Re-install the sound tube from step 5 and secure to grommet.



Congratulations! You have just completed the installation of this intake system. Periodically, check the alignment of the intake, normal wear and tear can cause nuts and bolts to come loose. **Note: Check clearance and adjust if needed! Failure to check the alignment and adjust the intake can cause damage that will void the warranty. Injen Technology is not responsible for any damages caused by/from improper installation.**

Test Drive:

1. With the transmission in neutral or park and the parking brake engaged, start the engine. Listen for air leaks or odd noises. If air leaks are detected, secure hoses and connections. For any odd noises, inspect entire system for cause and adjust intake as needed. The Injen intake will function identically to the factory system but will be louder and more powerful.
2. Perform a road test. Listen for odd noises or rattles and fix as necessary.
3. If there are no issues, continue to enjoy your added performance from the Injen performance Intake kit.
4. Injen Technology recommends you periodically check clearance and adjust if needed! Failure to check the alignment and adjust the intake can cause damage that will void the warranty. Injen Technology is not responsible for any damages caused by/from improper installation.

1. Upon completion of the installation, reconnect the negative battery terminal before you start the engine.
 2. Align the entire intake system for the best possible fit. Once the intake has been properly fitted continue to tighten all nuts, bolts and clamps.
 3. Periodically, recheck the alignment of the intake system and make sure there is proper clearance around and along the length of the intake. Failure to follow proper maintenance procedures may cause damage to the intake and will void the warranty.
 4. Start the engine and listen carefully for any odd noises, rattles and/or air leaks prior to taking it for a test drive. If any problems arise go back and check the vacuum lines, hoses and clamps that maybe causing leaks or rattles and correct the problem.
 5. Check the filter for excessive dirt build up. Clean or replace the filter with an original Injen filter (can be bought on-line at "injenonline.com").
- Congratulations! You have just completed the installation of the best intake system sold on the market. Enjoy the added power and performance of your new intake system.