



- Part number SP1993**  
**2003-06 Infiniti G35 Coupe 6spd**  
**2003-06 Infiniti G35 Coupe Auto**  
**V6 3.5L**
- 1- 2 piece **MR Tech** cold air intake(**CV**)
  - 1- **3 1/2 Inverted top Injen filter (#1021)**
  - 1- 3 1/8" straight hose (#3054)
  - 1- 3 1/2" straight hose (#3037)
  - 2- Power-bands (.362) .048 (#4004)
  - 2- Power-bands (.412) .056 (#4005)
  - 2- M6 vibra-mounts (#6020)
  - 3- M6 flange nuts (#6002)
  - 2- Fender washers (#6010)
  - 1- T-20 tamper res. torx bit (#6021)
  - 1- Instruction
- Note: All filters, hydro-shields, air filter charger kits and accessories are now sold on-line at:  
**"injenonline.com"**

**Congratulations! You have just purchased the best engineered, dyno-proven cold air intake system available.**  
**Please check the contents of this box immediately.**  
 Report any defective or missing parts to the Authorized Injen Technology dealer you purchased this product from.  
 Before installing any parts of this system, please read the instructions thoroughly. If you have any questions regarding installation please contact the dealer you purchased this product from.  
 Installation DOES require some mechanical skills. A qualified mechanic is always recommended.  
 \*Do not attempt to install the intake system while the engine is hot. The installation may require removal of radiator fluid line that may be hot.  
 Injen Technology offers a limited lifetime warranty to the original purchaser against defects in materials and workmanship. Warranty claims must be handled through the dealer from which the item was purchased.  
 Injen Technology 244 Pioneer Place Pomona, CA 91768 USA  
**Please check the contents of this box immediately.**  
**Note: This intake system was Dyno-tested with an Injen filter and Injen parts the use of any other filter or part will void the warranty and CARB exemption number.**  
**Parts and accessories are available on line at "Injenonline.com"**

**Note:** The installation of this cold air intake does require mechanical skills. Removal of the front bumper requires loosening and removing several plastic plugs and screws that may be difficult. In addition to removing the bumper, you will also have to remove the air resonator box, battery and tray when beginning this installation. **Injen strongly recommends that this system be installed by a professional mechanic.**

**MR Technology, "The World's First Tuned Intake System!"**  
**Optimum performance, Factory safe air/fuel ratio.**



Hydro-shield used for this application  
**X-1037**





**Fig 2**

This installation will require the removal of the front bumper. Refer to page three for step by step instructions. Loosen clamps at the throttle body and the air box. Un-clip all hinges on the air box lid. Remove the air box lid and the stock air filter, then continue to remove the lower air box cleaner.



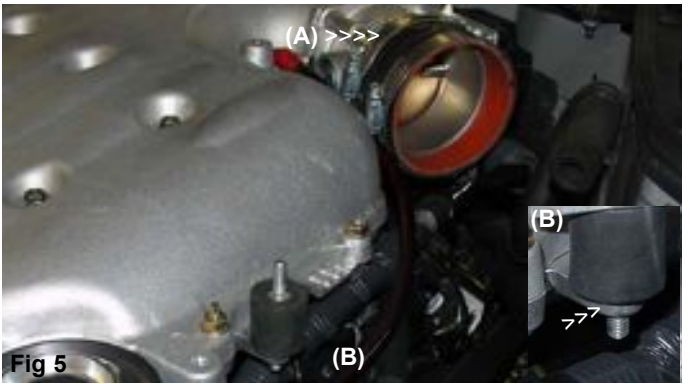
**Fig 3**

Loosen all clamps and remove bolts that holds the air intake duct and air intake box in place. Gently, remove the entire air box assembly from the engine compartment and set it aside.



**Fig 4**

Once the bumper has been removed continue to unscrew the m6 bolt then remove the air resonator box from the driver side bumper. The removal of the resonator box will allow room for the air filter and secondary intake assembly.



**Fig 5**

Press the 3 1/8" straight hose over the throttle body and use two .362 power-bands on the hose. Tighten the band on the throttle body side in order to prevent the hose from slipping off (A). Take the vibra-mount and screw it into the pre-tapped wing located to the side of the intake manifold cover (B). Vibra-mount fully installed (C).



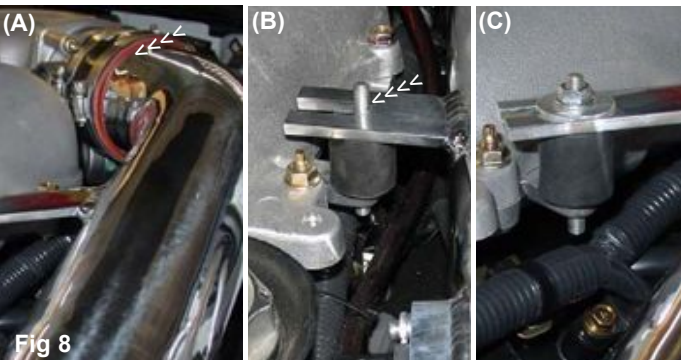
**Fig 6**

Using the torx bit in this kit, remove the screws holding the mass air sensor to the sensor housing. Gently, proceed to remove the sensor from the sensor housing as shown in this picture.



**Fig 7**

Locate the primary intake and carefully insert the air mass sensor into the machined flange welded to the intake (A). Use the stock screws to fasten the sensor in place (B).



**Fig 8**

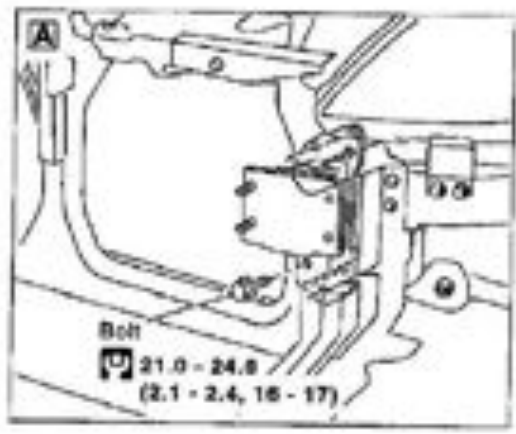
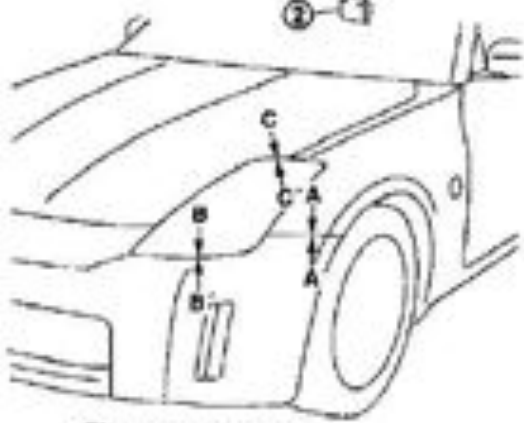
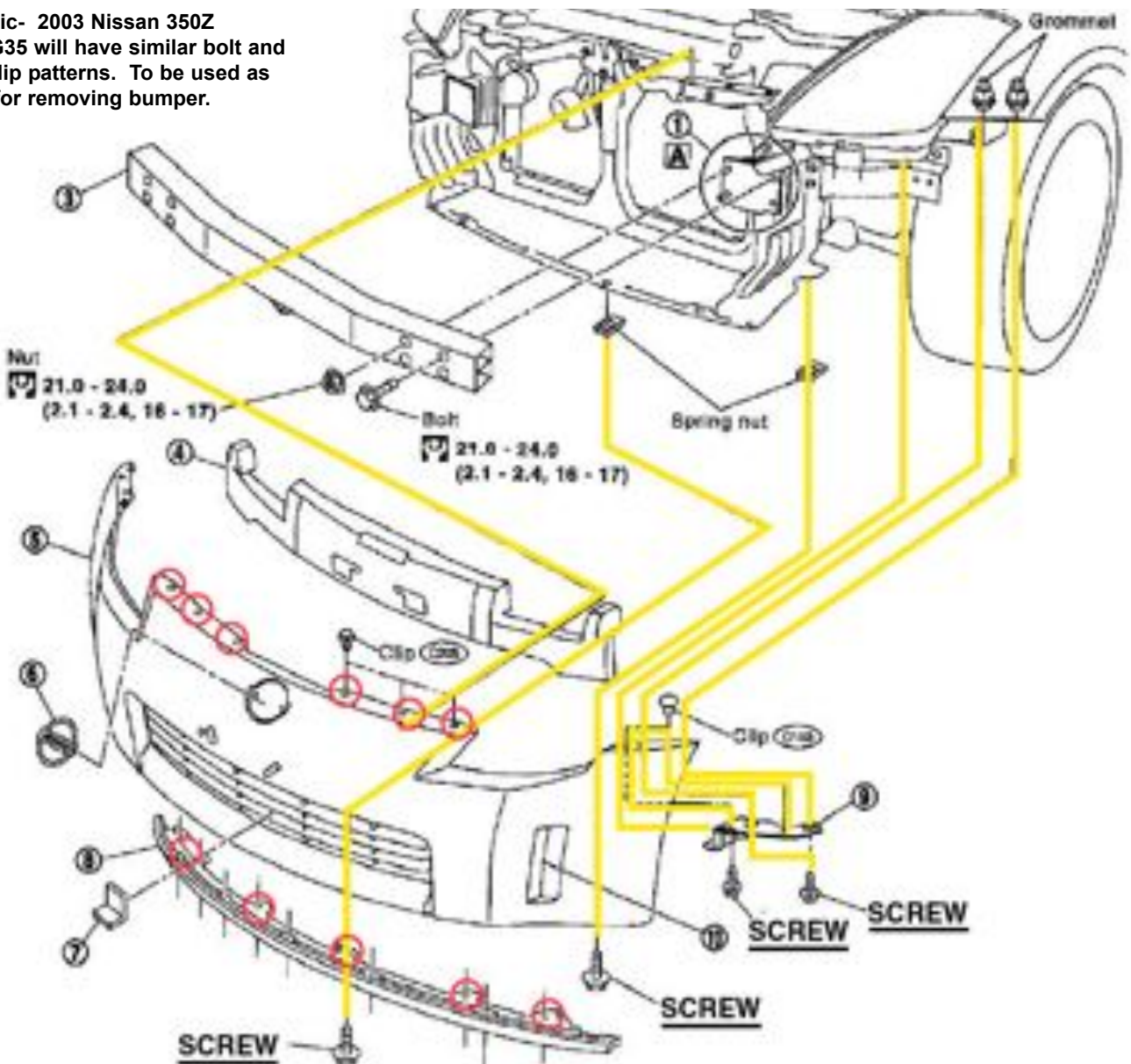
Press the intake outlet into the throttle body hose (A). Align the intake bracket to the vibra-mount stud (B). Place the fender washer over the stud and screw the m6 flange nut on the stud (C).



**Fig 9**

Align the entire intake for best possible fit then continue to semi-tighten nuts, bolts and clamps just enough to hold the intake in place.

Schematic- 2003 Nissan 350Z  
 Infinity G35 will have similar bolt and  
 plastic clip patterns. To be used as a  
 guide for removing bumper.



Clearance measurement  
 between parts  
 A - A': 0 - 0.5 (0 - 0.020)  
 B - B': 5.9 - 8.9 (0.232 - 0.350)  
 C - C': 1.7 - 5.3 (0.067 - 0.209)

Unit: mm (in)  
 N-m (kg-m, ft-lb)

- |                    |                           |                         |
|--------------------|---------------------------|-------------------------|
| 1. Bumper stay     | 2. Bumper retainer        | 3. Bumper reinforcement |
| 4. Energy absorber | 5. Bumper fascia assembly | 6. Front emblem         |



Fig 10

Find the stock breather hose and press it directly over the 1/2" intake port (A). Once the breather hose has been pressed over the intake port, use the stock clamp to prevent the hose from slipping off (B).



Fig 11

Short ram installation- Press the Injen filter over the end of the intake and fasten clamp located on the filter neck. Align intake for best possible fit. Once fitment has been cleared continue to tighten all nuts, bolts and clamps.



Fig 12

Remove the m6 stock bolt securing the air conditioning bracket to the frame.



Fig 13

Find the remaining vibra-mount and screw an m6 nut as shown in picture (B) With the m6 nut facing down, screw the vibra-mount into the bracket and frame (C).



Fig 14

CONTINUING TO INSTALL SECONDARY INTAKE- Press the 3 1/2" straight hose over the end of the primary intake. Use two large clamps and only tighten the clamp located on the end of the intake (D).



Fig 15

Take the secondary intake and press the large Injen filter over the end of the intake. Once the filter has been positioned in place, fasten clamp located on the filter neck.



Fig 16

Insert the top end of intake into the driver side bumper and up through the engine compartment.



Fig 17

Insert the top end of the secondary intake into the 3 1/2" straight hose located over the primary intake. Semi-tighten the .412 power-band to hold both intakes together.



Fig 18

Once the primary and secondary intakes have been aligned and butted together, set the intake bracket over the vibra-mount stud. Use the m6 flange nut and fender washer to secure both intakes in place.

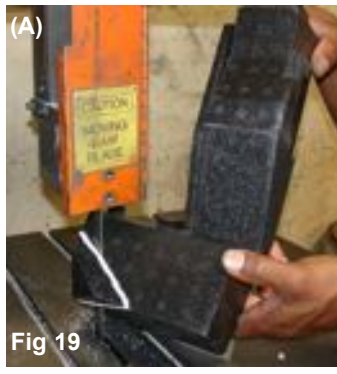


Fig 19



Take the foam insulator located in the front bumper and use a bandsaw, hack saw or saw that is capable of slicing through foam. It will be necessary to cut a corner piece from the foam insulator in order to make room for the filter. Start by cutting about an 1" as shown in figure (A) and (B). **Do not remove foam from the bumper support.**



Fig 20

Once a corner section has been cut off, place it in back in the stock location. Cut just enough to give you about 1/4" to 3/8" clearance between the filter and foam insulation. **Direct air to the filter will cause air turbulence that will cause the engine to stall. Do not remove foam insulator from car, must be used.**



Fig 21

Congratulations! You have just completed the installation. Periodically, check the fitment of the intake system to make sure no rubbing is damaging the intake. Failure to check the intake will cause permanent damage to the intake system.

1. Upon completion of the installation, reconnect the negative battery terminal before you start the engine.
2. Align the entire intake system for the best possible fit. Once the intake has been properly fitted continue to tighten all nuts, bolts and clamps.
3. Periodically, recheck the alignment of the intake system and make sure there is proper clearance around and along the length of the intake. Failure to follow proper maintenance procedures may cause damage to the intake and will void the warranty.
4. Start the engine and listen carefully for any odd noises, rattles and/or air leaks prior to taking it for a test drive. If any problems arise go back and check the vacuum lines, hoses and clamps that maybe causing leaks or rattles and correct the problem.
5. Check the filter for excessive dirt build up. Clean or replace the filter with an original Injen filter (can be bought on-line at "injenonline.com"). Congratulations! You have just completed the installation of the best intake system sold on the market. Enjoy the added power and performance of your new intake system.