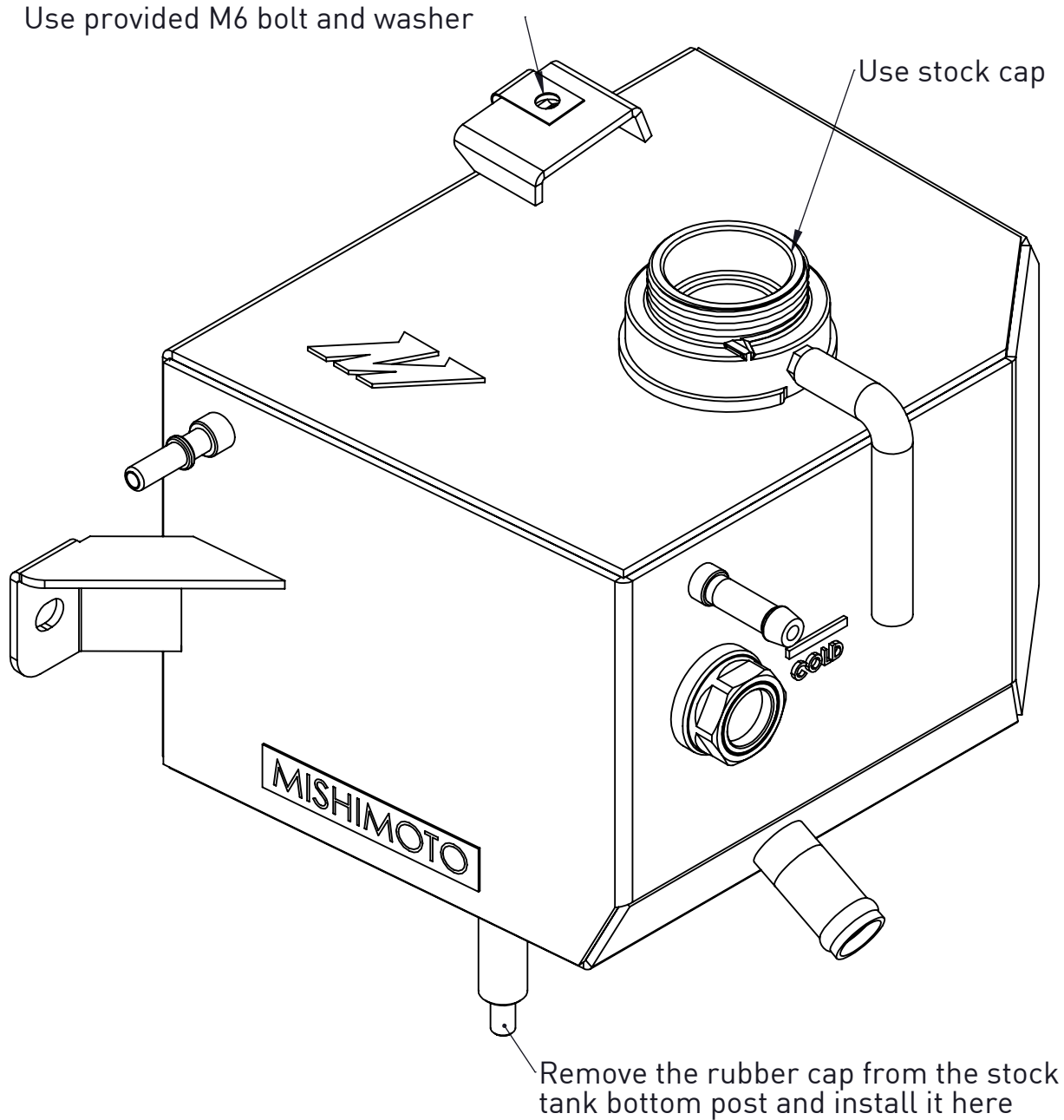


Use provided M6 bolt and washer

Use stock cap



Remove the rubber cap from the stock tank bottom post and install it here