



# INSTALLATION GUIDE

**Ford Ranger 2019+ Baffled Oil Catch Can Kit**

**SKU: MMBCC-RGR-19PBE**

## TABLE OF CONTENTS

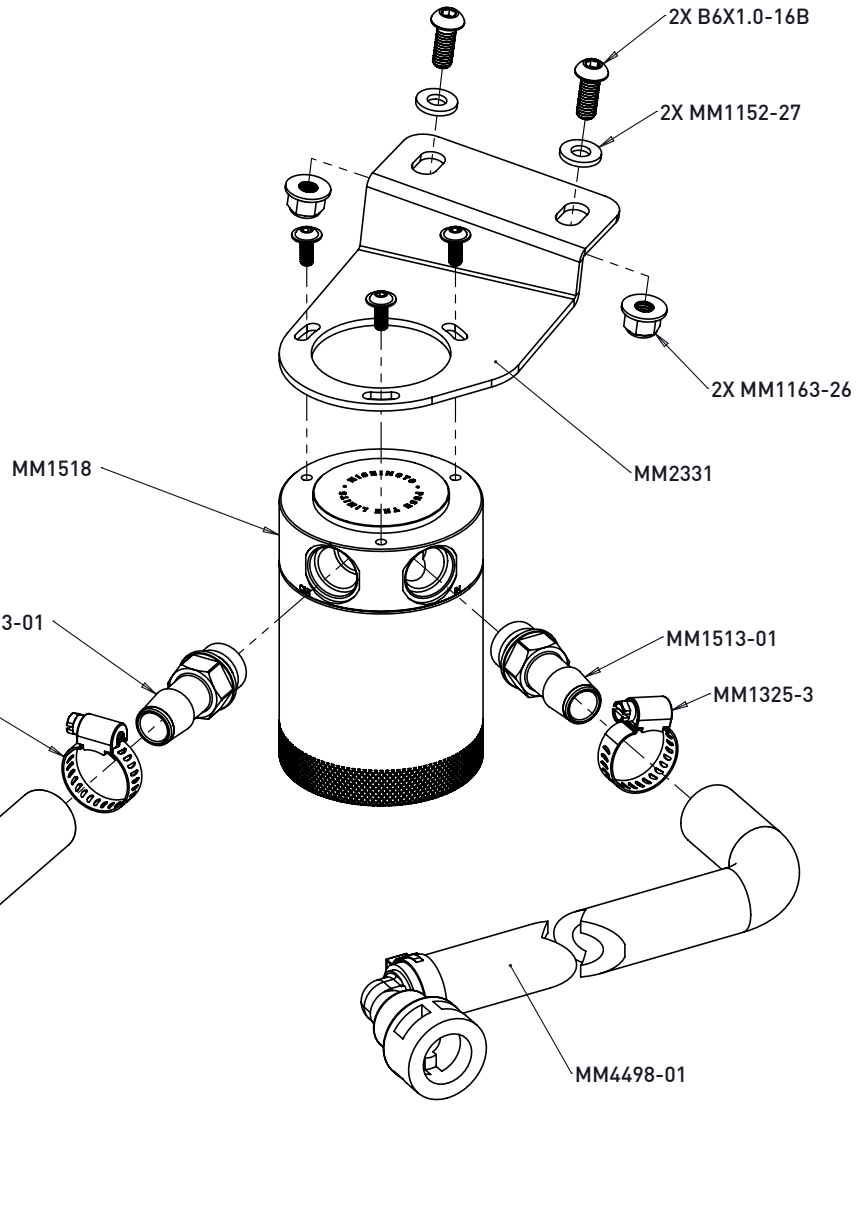
- Pg 1** RESOURCES AND CONTACT INFORMATION
- Pg 2** EXPLODED VIEW & PARTS BREAKDOWN
- Pg 3** IMPORTANT SAFETY INFORMATION  
REQUIRED TOOLS  
INSTALLATION INSTRUCTIONS
- Pg 6** DISPOSAL INSTRUCTIONS  
WARRANTY INFORMATION

## RESOURCES & CONTACT

-  **CALL 1-877-GOMISHI**  
CUSTOMER SERVICE HOURS: MON-FRI 8:30AM-5:00PM EST
-  **MISHIMOTO**
-  **GOMISHIMOTO**
-  **MISHIMOTO**
-  **WEBSITE**  
[WWW.MISHIMOTO.COM](http://WWW.MISHIMOTO.COM)
-  **ENGINEERING BLOG**  
[WWW.MISHIMOTO.COM/ENGINEERING](http://WWW.MISHIMOTO.COM/ENGINEERING)

**PARTS BREAKDOWN**

PART NUMBER	DESCRIPTION	QTY
MM1518	CATCH CAN	1
MM2331	BRACKET	1
MM4498-01	HOSE	1
MM4498-02	HOSE	1
MM1513-01	FITTING	2
MM1325-3	WORM GEAR CLAMP	2
MML 164-01	ZIP TIE	4
MM1290-01	ZIP TIE TREE CUP	2
BF4X0.7- 10	BOLT	3
B6XL. 16B	BOLT	2
MM1152-27	WASHER	2
MML 163-26	LOCKING NUT	2



## IMPORTANT SAFETY INFORMATION

- › Mishimoto recommends you use safety glasses and protective gloves during the installation of our products
- › Raise vehicle only on jack stands or on a vehicle lift
- › Allow vehicle to cool completely prior to attempting installation
- › Do not run the engine or drive the vehicle while overheating; serious damage can occur
- › Please dispose of any liquids properly
- › Mishimoto is not responsible for any vehicle damage or personal injury due to installation errors, misuse, or removal of Mishimoto products
- › If you need any assistance while installing our products, reach out to our Customer Service Team at 1-877-GOMISHI

## REQUIRED TOOLS

7MM SOCKET	1/4" DRIVE RATCHET
8MM SOCKET	1/4" EXTENSION
17MM WRENCH	PHILIPS HEAD SCREWDRIVER
4MM ALLEN KEY	PICK TOOL
2.5MM ALLEN KEY	

**INSTALL TIME: 1.5 HOURS**

**INSTALL DIFFICULTY:** 

## DISCLAIMER:

- Allow vehicle to cool completely prior to attempting installation.
- Mishimoto is not responsible for any vehicle damage or personal injury due to installation errors, misuse, or removal of Mishimoto products.
- Mishimoto suggests that a trained professional install all Mishimoto products.

## INSTALLATION INSTRUCTIONS

1. Remove the clips on the engine splash guard. (8x pop-clips)



2. Pull back the splash guard.

3. Disconnect the electrical harness under the coolant hose.



4. Pull the coolant hose from the clip that holds it in place. (1x pop-clip)



5. Slide the tabs on the PCV quick-disconnects and remove the hose.

Continued on next page



**6.** Run the hose with a 90° bend up through the engine bay.

**7.** On 2019 through early-2021 model years, there will be two ports on the oil separator block. Attach the quick-disconnect on the other end to the red port. On late-2021-2023 models, there will only be one port. Use this port to complete this step.



**8.** For 2019-early 2021 models, run the straight hose parallel with the first hose. Attach the quick-disconnect on the other end to the yellow port. Make sure neither hose has a kink in it.



**9.** For late-2021-2023 models, locate the PCV outlet on the intake manifold. Connect the provided catch can hose with the straight

length of rubber hose to this fitting and run the hose forward towards the front of the vehicle.



**10.** Secure the coolant hose.

**11.** Reconnect the electrical harness.

**12.** Reroute the hose so it sits above the coolant line.

**13.** Assemble the can and attach the fittings. Snug them down with a wrench.

**14.** Remove the clips that secure the radiator sight shield. (5x pop-clips)

**15.** Remove the bolts that secure the air duct. (2x 8mm bolts)

**16.** Remove the radiator sight shield.

**17.** Install the catch can bracket. On some models, the holes in the radiator support will already be threaded. If this is the case with your vehicle, the provided nuts will not be needed. (2x 4mm Allen bolts, 2x washers, 2x locking nuts)

**18.** Attach the catch can to the bracket. (3x 2.5mm Allen bolts)

Continued on next page





**19.** Attach the bend to the inlet port on the catch can. (1x worm gear clamp)



**20.** Attach the straight hose to the outlet port on the catch can.  
On late-2021-2023 models, you may trim the rubber hose to length.  
(1x worm gear clamp)

**21.** Use zip ties to secure both hoses.



**21.** Reinst.all the radiator sight shield.{5x pop-clips}

**22.** Secure the air duct.{2x 8mm bolts}

**23.** Reinstall the engine splash guard. {8x pop-clips}

**Congratulations!** You have finished your installation.

## DISPOSAL INSTRUCTIONS

- › Do not dispose of any product as unsorted municipal waste. Use separate collection facilities. Contact your local authority for information regarding the collection systems available.
- › Never improperly dispose of any coolant, oil, or other chemicals.

## WARRANTY INFORMATION



- › All claims must be accompanied with a picture of the Mishimoto product showing the issue for which the claim is being submitted.
- › Mishimoto asks that the customer inspect their purchased item for any damage immediately upon arrival.
- › Any product deemed dead on arrival (DOA) must be claimed within 14 business days of delivery. Claims outside of this time frame will not be covered under the Mishimoto Lifetime Warranty.
- › This warranty does not include payment and/or reimbursement of the cost of labor in connection with the removal of any product returned pursuant to the warranty policy or in connection with the installation of any replacement items provided under the warranty policy.
- › Mishimoto has the right to refuse a claim at any time.

- › When Mishimoto accepts a claim, Mishimoto retains full discretion to choose if it will: (i) repair or replace purchaser's original Mishimoto product; (ii) replace purchaser's original Mishimoto product with the most current available model; or (iii) provide the purchaser with a gift card redeemable on [Mishimoto.com](http://Mishimoto.com) in the amount of the original purchase price of the original Mishimoto product. The provision of a replacement of a Mishimoto product is subject to availability and Mishimoto retains the right to substitute any warranty claim item with a comparable item or credit at any time.
- › If Mishimoto determines that it will provide a replacement item in connection with a claim under this warranty policy, and such item is out of stock, Mishimoto will place the customer on backorder and ship the replacement product to the purchaser once it becomes available.
- › Mishimoto is not liable for incorrect shipments in connection with a claim if a claim form is completed incorrectly, or if a model number is not included in a claim.
- › If you have a vehicle equipped with an automatic transmission, please make sure to specify this within the text box on the claim form. Mishimoto is not responsible for incorrect replacement shipments if transmission type is not indicated.



**WARNING**  
Cancer and  
Reproductive Harm  
[www.P65Warnings.ca.gov](http://www.P65Warnings.ca.gov)

This product can expose you to chemicals which are known to the state of California to cause cancer. For more information visit: [www.p65warnings.ca.gov](http://www.p65warnings.ca.gov)