



INSTALLATION GUIDE

2021+ Ford Bronco 2.3L EcoBoost, Performance Intercooler Pipes
SKU: MMICP-BR23-21US

TABLE OF CONTENTS

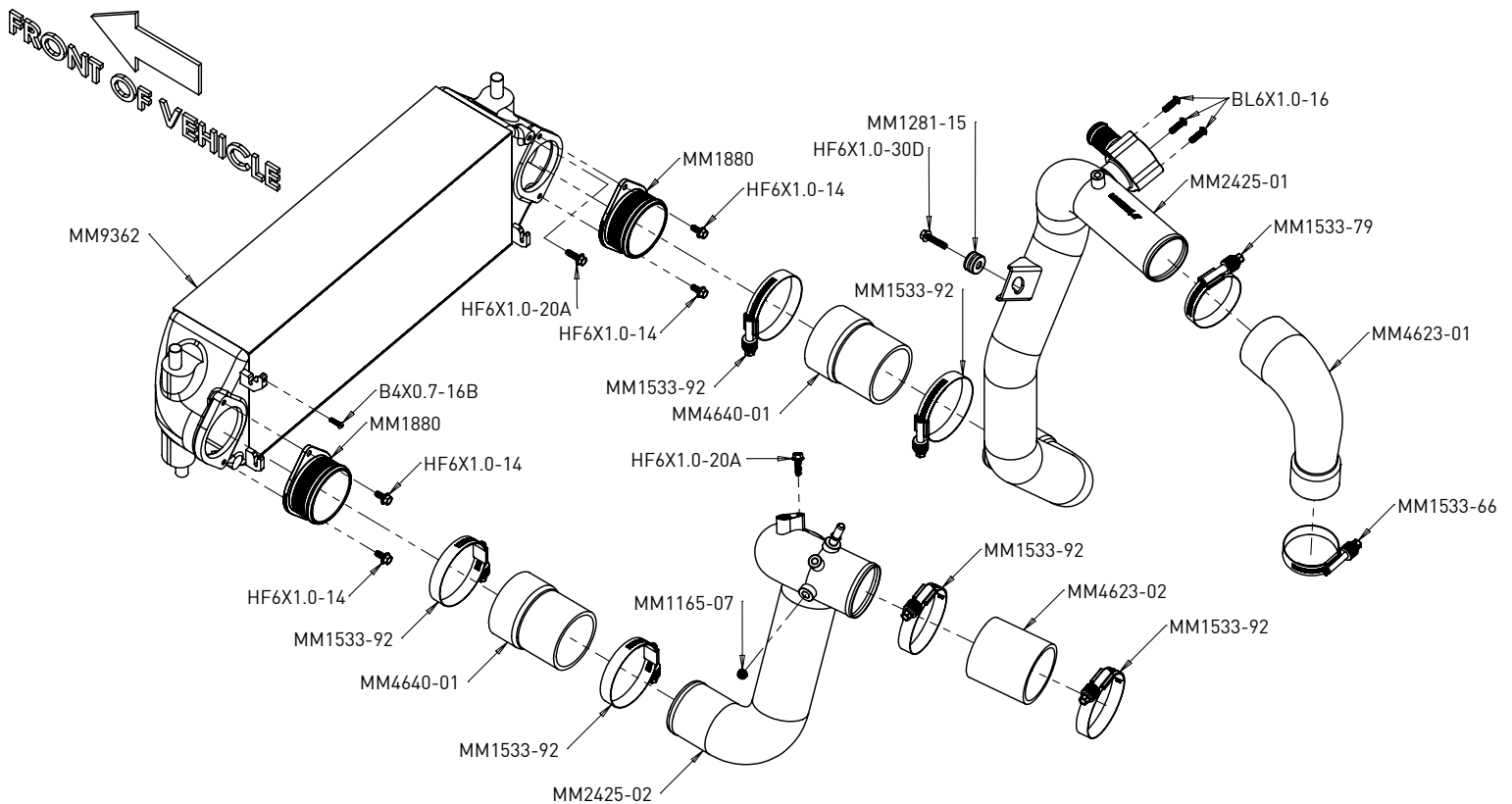
- Pg 1** RESOURCES AND CONTACT INFORMATION
- Pg 2** PARTS BREAKDOWN (EXPLODED VIEW)
- Pg 3** IMPORTANT SAFETY INFORMATION
REQUIRED TOOLS
INSTALLATION INSTRUCTIONS
- Pg. 6** DISPOSAL INSTRUCTIONS
WARRANTY INFORMATION

RESOURCES & CONTACT

-  **CALL 1-877-GOMISHI**
CUSTOMER SERVICE HOURS: MON-FRI 8:30AM-5:00PM EST
-  **MISHIMOTO**
-  **GOMISHIMOTO**
-  **MISHIMOTO**
-  **WEBSITE**
WWW.MISHIMOTO.COM
-  **ENGINEERING BLOG**
WWW.MISHIMOTO.COM/ENGINEERING

PARTS BREAKDOWN		
PART NUMBER	DESCRIPTION	QTY
MM9362	INTERCOOLER	1
MM1880	ADAPTER ASSEMBLY	2
MM2425-01	HOT-SIDE PIPE	1
MM2425-02	COLD-SIDE PIPE	1
MM4623-01	TURBO BOOT	1
MM4623-02	THROTTLE BODY BOOT	1
MM4640-01	INTERCOOLER BOOT	2
MM1533-66	HD WG CLAMP (45-66MM)	1

PARTS BREAKDOWN		
PART NUMBER	DESCRIPTION	QTY
MM1533-79	HD WG CLAMP (57-79MM)	1
MM1533-92	HD WG CLAMP (70-92MM)	6
MM1281-15	GROMMET	1
B4X0.7-16B	BUTTON HEAD BOLT (16MM LONG)	1
BL6X1.0-16	BUTTON HEAD LOCKING BOLT (16MM LONG)	3
HF6X1.0-14	HEX HEAD FLANGE BOLT (14MM LONG)	4
HF6X1.0-20A	HEX HEAD FLANGE BOLT (20MM LONG)	2
HF6X1.0-30D	HEX HEAD FLANGE BOLT (30MM LONG)	1
MM1165-07	1/8" NPT PLUG	1



Continued on next page

IMPORTANT SAFETY INFORMATION

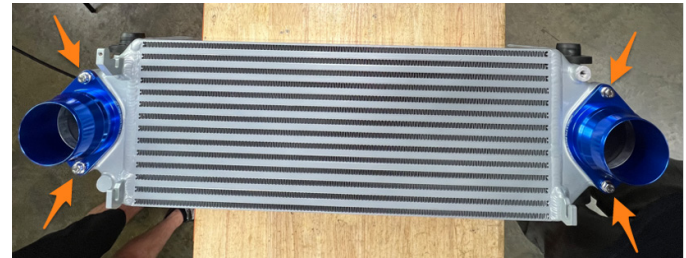
- › Mishimoto recommends you use safety glasses and protective gloves during the installation of our products
- › Raise vehicle only on jack stands or on a vehicle lift
- › Allow vehicle to cool completely prior to attempting installation
- › Do not run the engine or drive the vehicle while overheating; serious damage can occur
- › Please dispose of any liquids properly
- › Mishimoto is not responsible for any vehicle damage or personal injury due to installation errors, misuse, or removal of Mishimoto products
- › If you need any assistance while installing our products, reach out to our Customer Service Team at 1-877-GOMISHI

REQUIRED TOOLS

2.5MM ALLEN WRENCH	3/8" RATCHET AND EXTENSION
7MM SOCKET	1/4" TORQUE WRENCH
8MM SOCKET	PANEL TOOL
10MM SOCKET	PLIERS
15MM SOCKET	PICK TOOL
1/4" RATCHET AND EXTENSION	T30 TORX

INSTALLATION INSTRUCTIONS

- 01.** Remove the front skid plate.
- 02.** Remove the lower intercooler mounting brackets.
- 03.** Disconnect the hot and cold-side intercooler pipes from the intercooler, then remove the intercooler.
- 04.** Remove the stock intercooler piping adapters from the intercooler, then install the provided MM1880 adapter assemblies to the intercooler. Torque the bolts to 10 Nm (88.5 in-lbs). (2x MM1880)
(Image on top right)



- 05.** Disconnect the TMAP sensor electrical harness and vacuum line from the cold-side intercooler pipe.
- 06.** Loosen the clamp securing the cold-side intercooler pipe to the throttle body, then remove the cold-side intercooler pipe.
- 07.** Remove the bypass valve hose from the bypass valve.
- 08.** Disconnect the bypass valve electrical harness.
- 09.** Loosen the clamp securing the hot-side intercooler pipe to the turbo.
- 10.** Disconnect the two vacuum lines attached to the air intake tube
- 11.** Remove the 8mm bolt securing the hot-side intercooler pipe to the bracket on the front of the engine, then remove the hot-side intercooler pipe.
- 12.** Transfer the TMAP sensor from the stock cold-side intercooler pipe to the Mishimoto cold-side intercooler pipe and secure it in place using the provided hardware. (Flange-Head M6X1.0-20)



Continued on next page

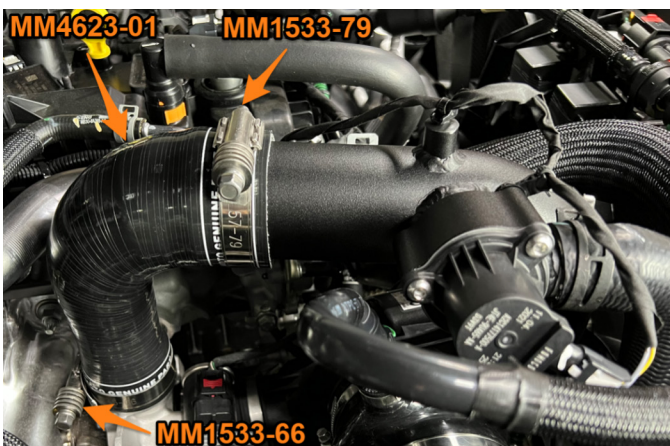
13. Transfer the bypass valve from the stock hot-side intercooler pipe to the Mishimoto hot-side intercooler pipe and secure it in place using the provided hardware. (3x button-head M6X1.0-16)



14. Install the provided grommet to the Mishimoto hot-side intercooler pipe. (MM1281-15)



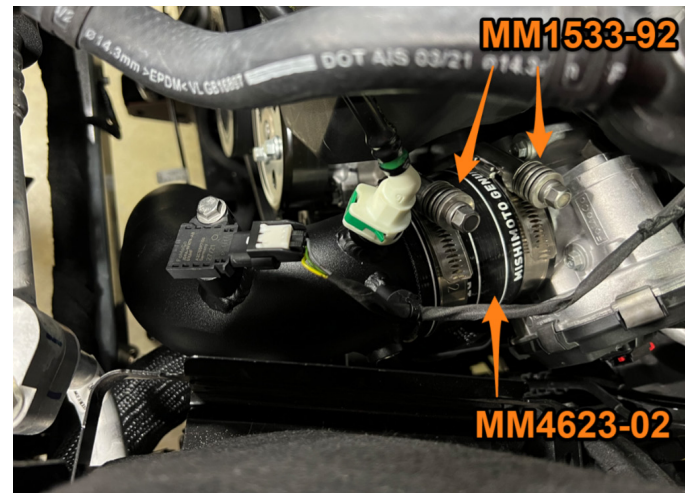
15. Using the provided clamps and turbo boot, install the Mishimoto hot-side intercooler pipe. Do not tighten the clamps, this will be done later. Reconnect the bypass valve hose and electrical harness.



16. Secure the Mishimoto hot-side intercooler pipe to the bracket on the front of the engine using the provided hardware. (Flange-Head M6X1.0-30)

17. Reconnect the two vacuum lines to the air intake tube.

18. Using the provided clamps and throttle body boot, install the Mishimoto cold-side intercooler pipe. Do not tighten the clamps, this will be done later. Reconnect the TMAP sensor electrical harness and vacuum line. (MM4623-02 and 2x MM1533-92)



19. Install the Mishimoto intercooler and reinstall the lower intercooler mounting brackets.

20. Connect the Mishimoto hot and cold-side intercooler pipes to the intercooler adapters using the intercooler boots and provided clamps. (2x MM4640-01, and 4x MM1533-92)



Continued on next page

21. Check to make sure the Mishimoto intercooler piping is not touching any of the pulleys on the front of the engine. Once proper clearance around the piping is confirmed, tighten all the clamps.

22. Reinstall the front skid plate.

Congratulations! You have completed your installation.

DISPOSAL INSTRUCTIONS

- › Do not dispose of any product as unsorted municipal waste. Use separate collection facilities. Contact your local authority for information regarding the collection systems available.
- › Never improperly dispose of any coolant, oil, or other chemicals.

WARRANTY INFORMATION



- › All claims must be accompanied with a picture of the Mishimoto product showing the issue for which the claim is being submitted.
- › Mishimoto asks that the customer inspect their purchased item for any damage immediately upon arrival.
- › Any product deemed dead on arrival (DOA) must be claimed within 14 business days of delivery. Claims outside of this time frame will not be covered under the Mishimoto Lifetime Warranty.
- › This warranty does not include payment and/or reimbursement of the cost of labor in connection with the removal of any product returned pursuant to the warranty policy or in connection with the installation of any replacement items provided under the warranty policy.
- › Mishimoto has the right to refuse a claim at any time.

- › When Mishimoto accepts a claim, Mishimoto retains full discretion to choose if it will: (i) repair or replace purchaser's original Mishimoto product; (ii) replace purchaser's original Mishimoto product with the most current available model; or (iii) provide the purchaser with a gift card redeemable on [Mishimoto.com](https://www.mishimoto.com) in the amount of the original purchase price of the original Mishimoto product. The provision of a replacement of a Mishimoto product is subject to availability and Mishimoto retains the right to substitute any warranty claim item with a comparable item or credit at any time.
- › If Mishimoto determines that it will provide a replacement item in connection with a claim under this warranty policy, and such item is out of stock, Mishimoto will place the customer on backorder and ship the replacement product to the purchaser once it becomes available.
- › Mishimoto is not liable for incorrect shipments in connection with a claim if a claim form is completed incorrectly, or if a model number is not included in a claim.
- › If you have a vehicle equipped with an automatic transmission, please make sure to specify this within the text box on the claim form. Mishimoto is not responsible for incorrect replacement shipments if transmission type is not indicated.



WARNING
Cancer and
Reproductive Harm
www.P65Warnings.ca.gov

This product can expose you to chemicals which are known to the state of California to cause cancer. For more information visit: www.p65warnings.ca.gov